

Iron Soldering Soldering Robot

- Inline soldering robot
- Off-line double-side soldering robot
- Desktop soldering robot
- Gantry soldering robot
- Soldering set
- Hotbar soldering robot



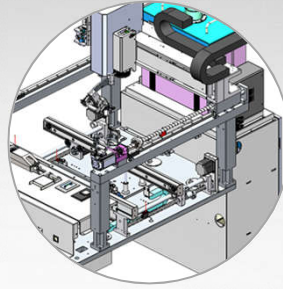
Contents

Model	Movement range
Inline soldering robot	
QUICK S100-P4	380/500/100mm ± 180°
QUICK S100-T4	400/500/100mm ± 180°
Offline double-side soldering robot	
QUICK EG95T4YA	500/800/100mm ± 180°
8C series desktop soldering robot	
QUICK ET9383C	300/300/100mm
QUICK ET9483C	400/400/100mm
QUICK ET9583CYA	500/400/100mm
QUICK ET9384C	300/300/100mm 300°
QUICK ET9484C	400/400/100mm 300°
QUICK ET9584CYA	500/400/100mm 300°
8E series desktop soldering robot	
QUICK ET9383E-BB1	300/300/100mm
QUICK ET9483E-BB1	400/400/100mm
QUICK ET9583EYA-BB1	500/400/100mm
QUICK ET9384E-BB1	300/300/100mm ± 180°
QUICK ET9484E-BB1	400/400/100mm ± 180°
QUICK ET9584EYA-BB1	500/400/100mm ± 180°
QUICK ET9383ED-BB1	300/300/100mm
QUICK ET9483ED-BB1	400/400/100mm
9F series desktop soldering robot	
QUICK ET9393F-A	300/300/100mm
QUICK ET9493F-A	400/400/100mm
QUICK ET9593FYA-A	500/400/100mm
QUICK ET9394F-A	300/300/100mm ± 180°
QUICK ET9494F-A	400/400/100mm ± 180°
QUICK ET9594FYA-A	500/400/100mm ± 180°
Semi-closed work enclosure	
QUICK ECS40A	
QUICK 9354N(A)	300/300/100mm (300/200/100mm) 300°
QUICK 9454NA	400/300/100mm 300°
QUICK 9454N	400/400/100mm 300°

Model	Movement range
Gantry soldering robot	
QUICK 9152N	100/100mm
QUICK 9252N	200/100mm
QUICK 9153N(A)	100/100/100mm (100/200/100mm)
QUICK 9253N(A)	200/200/100mm (200/100/100mm)
QUICK 9353N(A)	300/300/100mm (300/200/100mm)
QUICK 9453NA	400/300/100mm
QUICK 9154N(A)	100/100/100mm (100/200/100mm) ± 180°
QUICK 9254N(A)	200/200/100mm (200/100/100mm) ± 180°
Soldering set	
QUICK 7050A	
QUICK 7050AI	
QUICK 7050B	
QUICK 7050BI	
QUICK 7050C	
QUICK 7050CI	
QUICK 7050E	
QUICK 7050EI	
Hotbar soldering robot	
QUICK ET9H383	300/300/100mm
QUICK ET9H583YA	500/400/100mm
QUICK ET9H393	300/300/100mm
QUICK ET9H593YA	500/400/100mm

Inline soldering robot

QUICK S100-P4

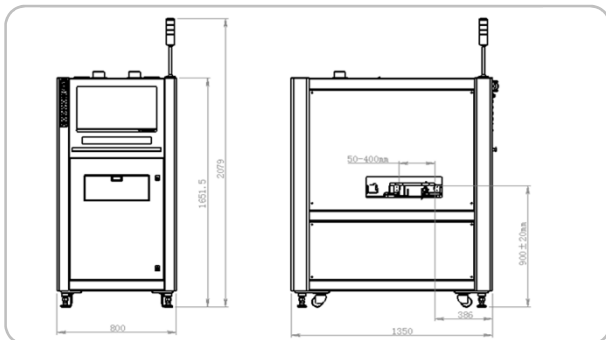


Features

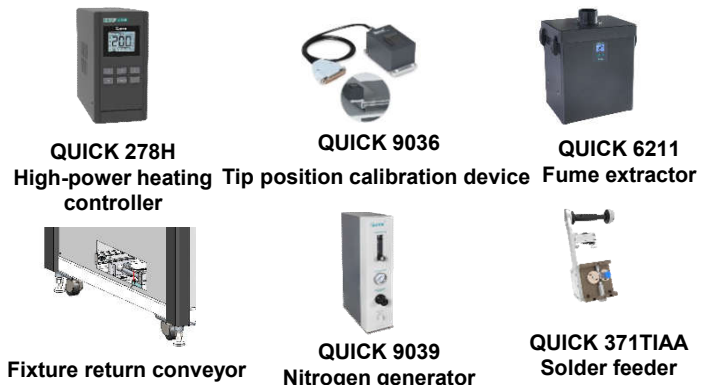
1. Flexible combination, can connect with other inline robots such as dispensing, screwing, AOI, selective soldering etc.
2. Modularized design and easy maintenance.
3. Screw servo module, high precision, high speed and large payload.
4. Superior temperature control system, fast temperature rise and super thermal recovery.
5. PC-base control system, vision-guided programming and teaching programming.
6. CCD available for visual correction to avoid product positioning error, monitor soldering status in real time, effectively improve soldering process.
7. Fixture reflow line optional, can work with the front and rear lift.
8. Can connect to client's MES to read the information of temperature, solder amount etc.
9. Adjustable conveyor design with the range of 50-400mm, and the direction of workflow switchable.

Model		QUICK S100-P4	
Number of controllable axis		4	
Power consumption		800W	
Input power		220V 50Hz	
Air pressure		0.4~0.7MPa	
Heating controller power consumption		200W	
Movement range	X/Y/Z Axis	380/500/100mm	
	R Axis	±180°	
Moving speed	X/Y/Z Axis	0.1~800 mm/sec	0.1~400 mm/sec (Z Axis)
	R Axis	0.1~800° /s	
Repeatable accuracy	X/Y/Z Axis	±0.01 mm	
	R Axis	±0.02°	
Soldering area (X*Y)		300mm*370mm	
Conveyor speed		Adjustable 1~300 mm/sec	
Conveyor width		Adjustable 50~400 mm	
Conveyor height		900mm±20mm	
Fixture range (X*Y)		300*400mm	
Size (W*D*H)		800*1350mm*1650 mm	
Weight		700kg	

Size

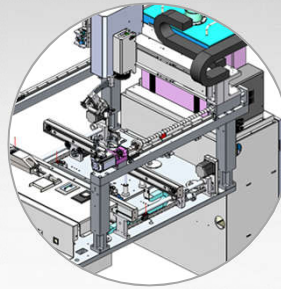


Options



Inline soldering robot

QUICK S100-T4



Features

1. Flexible combination, can connect with other inline robots such as dispensing, screwing, AOI, selective soldering etc.
2. Modularized design and easy maintenance.
3. Screw servo module, high precision, high speed and large payload.
4. Superior temperature control system, fast temperature rise and super thermal recovery.
5. Fixture reflow line optional, can work with the front and rear lift.
6. Can connect to client's MES to read the information of temperature, solder amount etc.
7. Adjustable conveyor design with the range of 50-400mm, and the direction of workflow switchable..

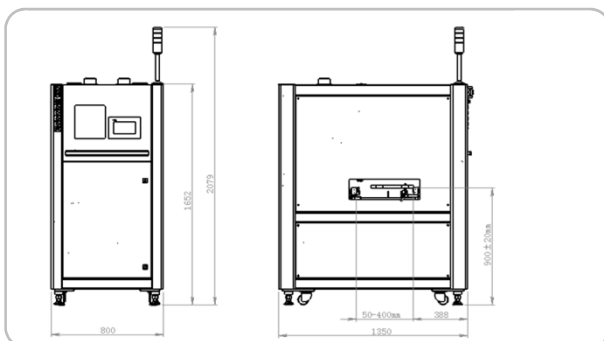


Model

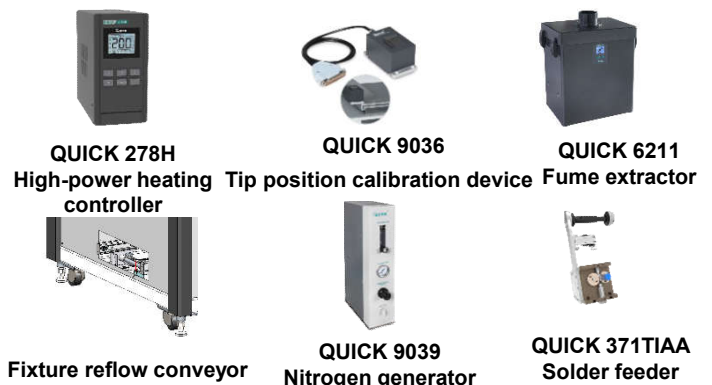
QUICK S100-T4

Number of controllable axis	4	
Power consumption	800W	
Input power	220V 50Hz	
Air pressure	0.4~0.7MPa	
Heating controller power consumption	200W	
Movement range	X/Y/Z Axis	400/500/100mm
	R Axis	±180°
Moving speed	X/Y/Z Axis	0.1~800 mm/sec 0.1~400 mm/sec (Z Axis)
	R Axis	0.1~800° /s
Repeatable accuracy	X/Y/Z Axis	± 0.01 mm
	R Axis	±0.02°
Soldering area (X*Y)	300mm*370mm	
Conveyor speed	Adjustable 1~300 mm/sec	
Conveyor width	Adjustable 50~400 mm	
Conveyor height	900mm±20mm	
Fixture range (X*Y)	300*400mm	
Size (W*D*H)	800*1350mm*1650 mm	
Weight	700kg	

Size



Options



Offline double-side soldering robot

QUICK EG95T4YA



Features

Motion platform

Double-side design, integration of two soldering systems.

The integration design increases the stability of the robot under high speed operation, more convenient movement, easy daily maintenance.

Full-closed-loop control of axis movement, no step loss, strong load capacity and high running speed. two modes: 1.putting in front and taking in front, 2.putting in front and taking in back. It can be used as a single soldering workstation or in a semi-automatic production line to solve the problems of product handling and circulation.

Upper protective cover available

Solder feeder

QUICK371TAA, small size and high precision, controlled by precision stepping motor, the minimum solder feeding length can reach 0.1mm, and it has the alarm function of solder shortage and blocking.

Heating controller

QUICK378FA heating controller, high-frequency eddy current heating, stable and reliable temperature, fast thermal recovery, connect with the computer through RS-485,with abnormal temperature alarm and solder shortage alarm.

Teach pendant

QUICK9011D teach pendant, supports array and group functions, with the side point function, and supports various processes such as single-step operation, integral machining, simulated operation and automatic circular.

Model		QUICK EG95T4YA
Number of controllable axis		4
Power consumption		800W
Heating controller power consumption		200W
Movement range	X/Y/Z Axis	500mm/800mm/100mm
	R Axis	± 180°
Moving speed	X/Y Axis	0.1~800 mm/sec
	Z Axis	0.1~300 mm/sec
	R axis	0.1~800° /sec
Repeatable accuracy	X/Y/Z Axis	± 0.01 mm
	R axis	± 0.02°
Maximum payload	Z axis	3kg
	Platform	8kg
Operating range		200*300mm (Double Y axes)
Size (W*D*H)		900*1040*1550mm
Weight		450kg

Options



QUICK 9036

Tip position calibration device



QUICK 6211

Fume extractor



QUICK 9039

Nitrogen generator



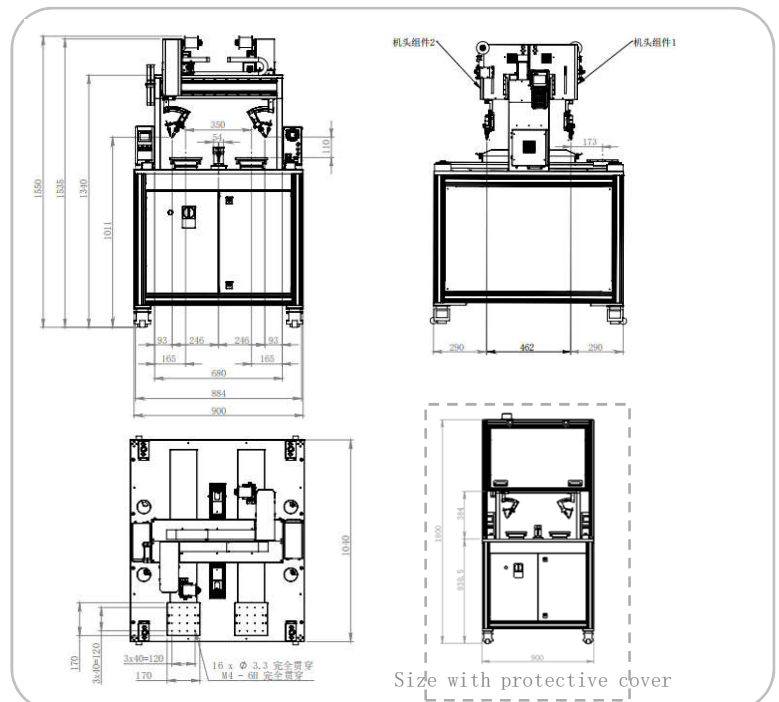
QUICK 371TAA

Solder feeder



Upper protective cover

Size



Desktop soldering robot

QUICK ET9383C/9483C



Features

Motion platform

C series soldering robot with precision built-in solder feeding module, pulse control of solder length, separation of temperature control and solder feeding module, easier maintenance, high cost performance.

Heating controller

High-power QUICK262 intelligent temperature controller, high-frequency eddy current heating, double temperature display, digital temperature calibration, password control, switching power supply, stable and reliable output.

Soldering pen

QUICK9018M soldering pen, front temperature sensor, quick sensing of solder joint temperature fluctuation, rapid thermal recovery.

Solder feeder

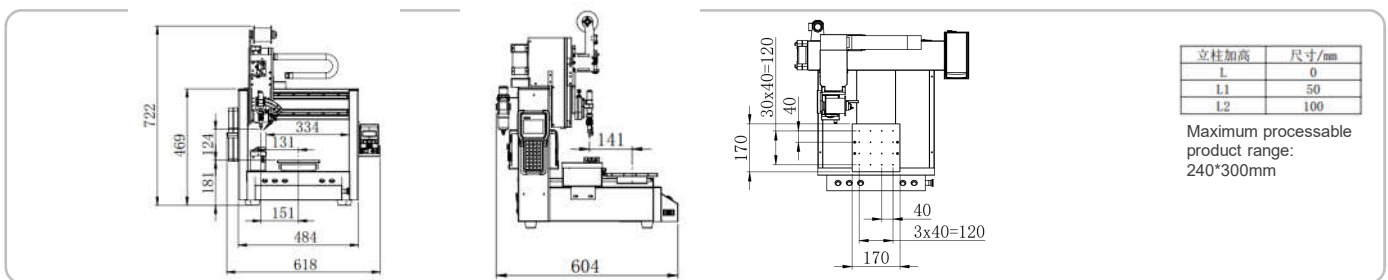
QUICK371TAA, small size and high precision, controlled by precision stepping motor, the minimum solder feeding length can reach 0.1mm, solder shortage and block alarm function available.

Teach pendant

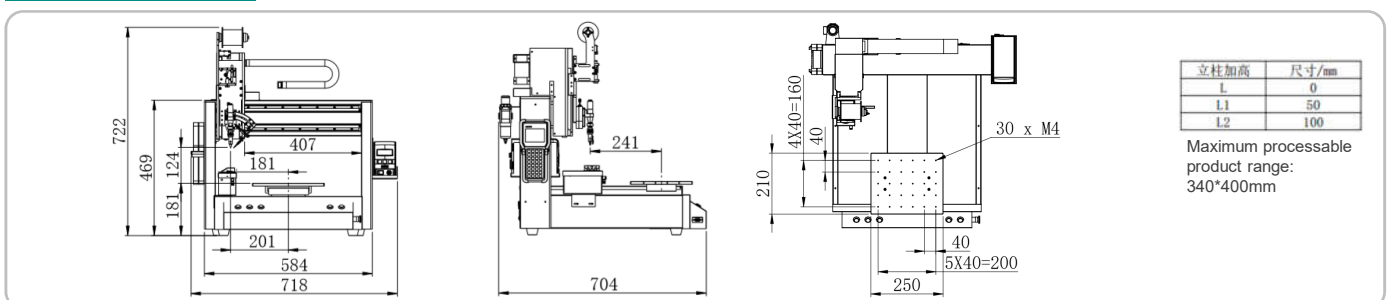
QUICK9011D teach pendant, it supports array and group functions, with the function of side points, and supports various processes such as single-step operation, integral machining, simulated operation and automatic circular.

Model		QUICK ET9383C	QUICK ET9483C
Number of controllable axis		3	3
Power consumption		250W	250W
Heating controller power consumption		150W	150W
Movement range	X/Y Axis	300mm	400mm
	Z Axis	100mm	100mm
Moving speed	X/Y Axis	0.1~600 mm/sec	0.1~600 mm/sec
	Z Axis	0.1~200 mm/sec	0.1~200 mm/sec
Repeatable accuracy	X/Y/Z Axis	± 0.02 mm	± 0.02 mm
Maximum payload	Z axis	2kg	2kg
	Platform	5kg	5kg
Operating range		240*300mm	340*400mm
Size (W*D*H)		620x605x720mm	720x705x720mm
Weight		40kg	45kg

ET9383C Size



ET9483C Size



Desktop soldering robot

QUICK ET9583CYA



Features

Motion platform

C series soldering robot with precision built-in solder feeding module, pulse control of solder length, separation of temperature control and solder feeding module, easier maintenance, high cost performance.

Heating controller

High-power QUICK262 intelligent temperature controller, high-frequency eddy current heating, double temperature display, digital temperature calibration, password control, switching power supply, stable and reliable output.

Soldering pen

QUICK9018M soldering pen, front temperature sensor, quick sensing of solder joint temperature fluctuation, rapid thermal recovery.

Solder feeder

QUICK371TAA, small size and high precision, controlled by precision stepping motor, the minimum solder feeding length can reach 0.1mm, solder shortage and block alarm function available.

Teach pendant

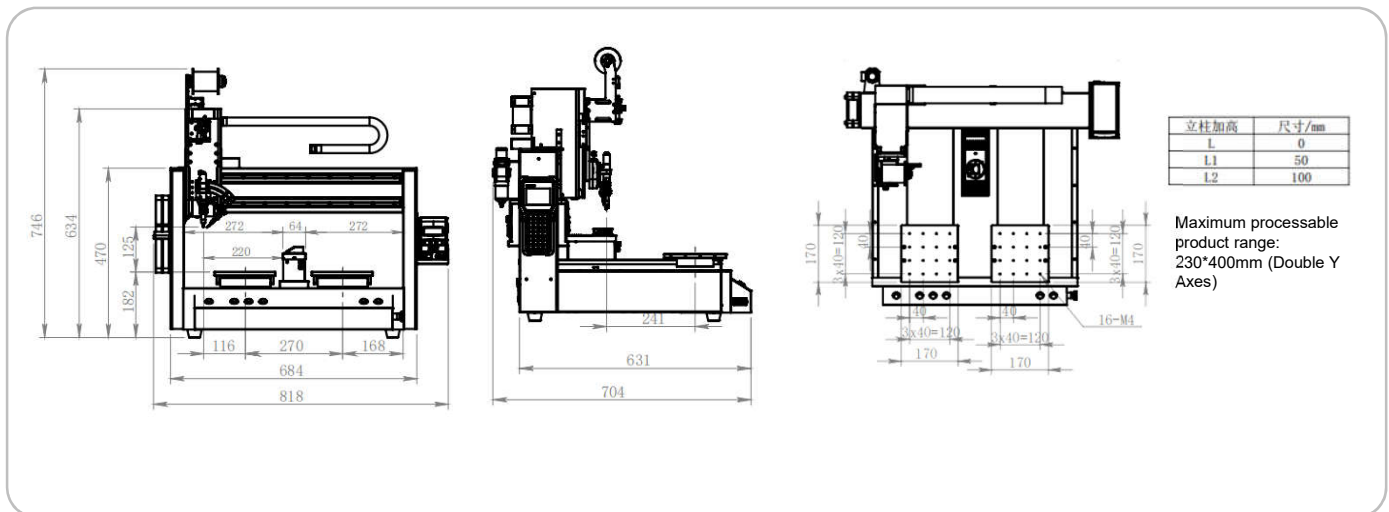
QUICK9011D teach pendant, it supports array and group functions, with the function of side points, and supports various processes such as single-step operation, integral machining, simulated operation and automatic circular.

Model

QUICK ET9583CYA

Number of controllable axis	3	
Power consumption	260W	
Heating controller power consumption	150W	
Movement range	X/Y Axis	500mm/400mm
	Z Axis	100mm
Moving speed	X/Y Axis	0.1~600 mm/sec
	Z Axis	0.1~200 mm/sec
Repeatable accuracy	X/Y/Z Axis	± 0.02 mm
Maximum payload	Z Axis	2kg
	Platform	5kg
Operating range	230*400mm (Double Y axis)	
Size (W*D*H)	820x705x720mm	
Weight	60kg	

Size



Desktop soldering robot

QUICK ET9384C/9484C



Features

Motion platform

C series soldering robot with precision built-in solder feeding module, pulse control of solder length, separation of temperature control and solder feeding module, easier maintenance, high cost performance.

Heating controller

High-power QUICK262 intelligent temperature controller, high-frequency eddy current heating technology, double temperature display, digital temperature calibration, password control, switching power supply, stable and reliable output.

Soldering pen

QUICK9018M soldering pen, front temperature sensor, quick sensing of solder joint temperature fluctuation, rapid thermal recovery.

Solder feeder

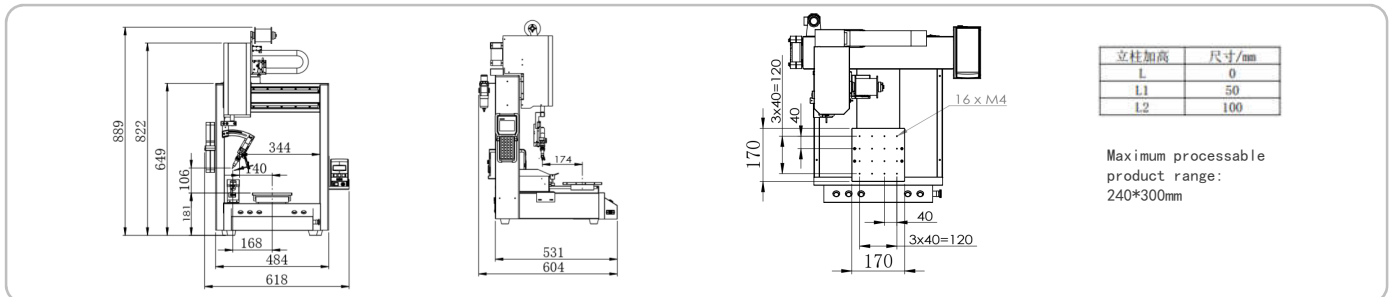
QUICK371TAA, small size and high precision, controlled by precision stepping motor, the minimum solder feeding length can reach 0.1mm, solder shortage and block alarm function available.

Teach pendant

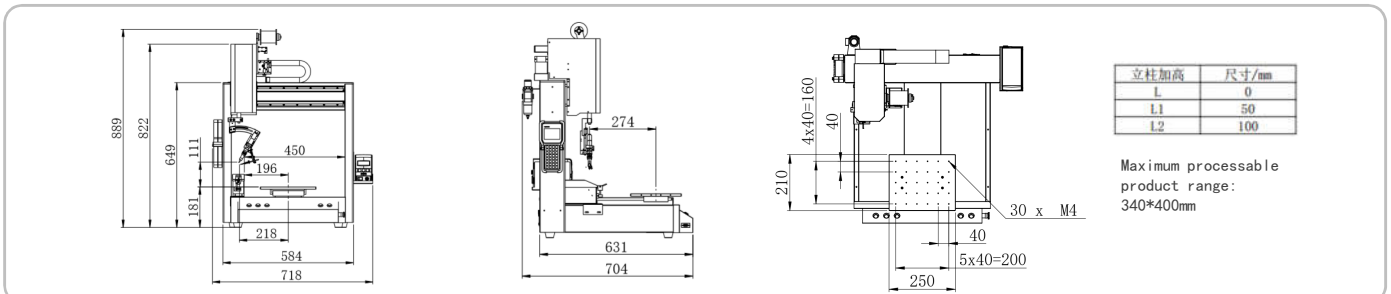
QUICK9011D teach pendant, it supports array and group functions, with the function of side points, and supports various processes such as single-step operation, integral machining, simulated operation and automatic circular.

Model	QUICK ET9384C	QUICK ET9484C	
Number of controllable axis	4	4	
Power consumption	280W	280W	
Heating controller power consumption	150W	150W	
Movement range	X/Y Axis	300mm	400mm
	Z Axis	100mm	100mm
	R Axis	300°	300°
Moving speed	X/Y Axis	0.1~600 mm/sec	0.1~600 mm/sec
	Z Axis	0.1~200 mm/sec	0.1~200 mm/sec
	R Axis	0.1-600° /sec	0.1-600° /sec
Repeatable accuracy	X/Y/Z Axis	± 0.02 mm	± 0.02 mm
	R Axis	±0.02°	±0.02°
	Z Axis	2kg	2kg
Maximum payload	Platform	5kg	5kg
	Operating range	240*300mm	340*400mm
Size (W*D*H)	620x605x720mm	720x705x890mm	
Weight	45kg	55kg	

ET9384C Size



ET9484C Size



Desktop soldering robot

QUICK ET9584CYA

Features

Motion platform

C series soldering robot independently developed by QUICK with precision built-in solder feeding module, pulse control of solder length, separation of temperature control and solder feeding module, easier maintenance, high cost performance.

Heating controller

High-power QUICK262 intelligent temperature controller, high-frequency eddy current heating technology, double temperature display, digital temperature calibration, password control, switching power supply, stable and reliable output.

Soldering pen

QUICK9018M special soldering pen, front temperature sensor, quick sensing of solder joint temperature fluctuation, rapid thermal recovery.

Solder feeder

QUICK371TAA, small size and high precision. Controlled by precision stepping motor, the minimum solder feeding length can reach 0.1mm, solder shortage and block alarm function available.

Teach pendant

QUICK9011D teach pendant, it supports array and group functions, with the function of side points, and supports various processes such as single-step operation, integral machining, simulated operation and automatic circular

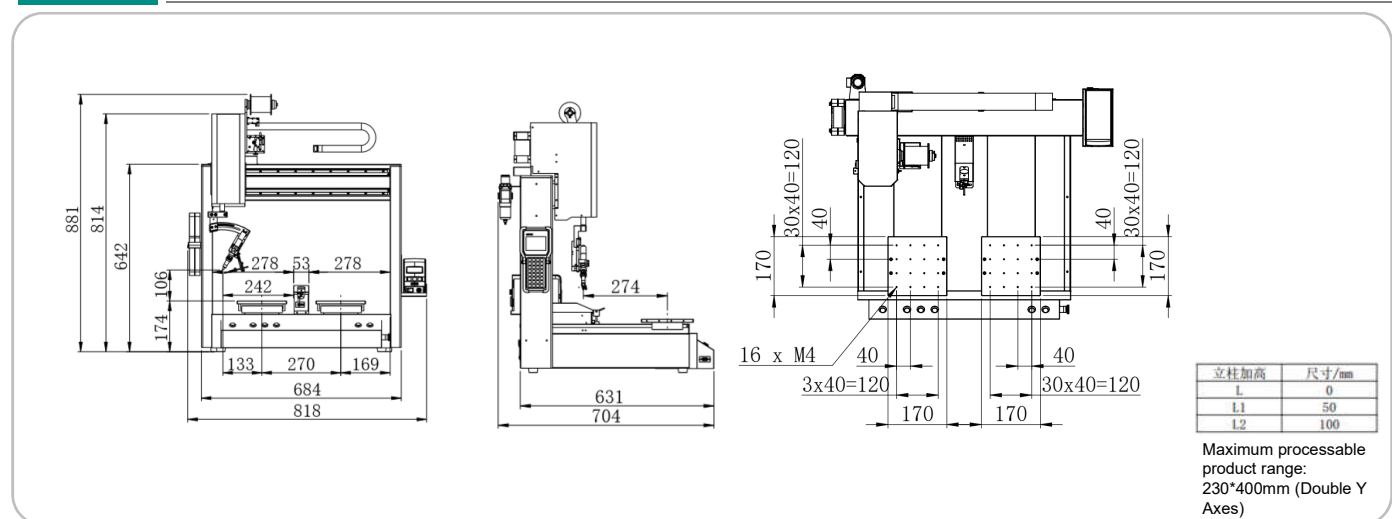


Model

QUICK ET9584CYA

Number of controllable axis		4
Power consumption		310W
Heating controller power consumption		150W
Movement range	X/Y Axis	500mm/400mm
	Z Axis	100mm
	R Axis	300°
Moving speed	X/Y Axis	0.1~600 mm/sec
	Z Axis	0.1~200 mm/sec
	R Axis	0.1~600° /sec
Repeatable accuracy	X/Y/Z Axis	± 0.02 mm
	R Axis	± 0.02°
Maximum payload weight	Z Axis	2kg
	Platform	5kg
Operating range		230*400mm (Double Y axes)
Size (W*D*H)		820x705x880mm
Weight		65kg

Size



Desktop soldering robot

QUICK ET9383E-BB1/9483E-BB1

Features

Motion platform

E series soldering platform of high speed and high accuracy, low noise, Y-axis closed-loop control, no lost steps, strong load capacity, modular design, easy maintenance, rich I/O interfaces, support MES to read local data and expand operation use, two-hand start (single and two-hand start optional), safe and reliable.

Heating controller

QUICK378FA temperature controller, high frequency eddy current heating, stable and reliable temperature, fast thermal recovery, connect with computer through RS-485, real-time monitor and set parameters like temperature, solder feeding etc, with abnormal temperature alarm and solder shortage alarm function etc.

Soldering pen

QUICK9018M soldering pen, front temperature sensor, quick sensing of solder joint temperature fluctuation, rapid thermal recovery.

Solder feeder

QUICK371TAA, small size and high precision. controlled by precision stepping motor, the minimum solder feeding length can reach 0.1mm, solder shortage and block alarm function available.

Teach pendant

QUICK9011D teach pendant, supports array and group functions, with the function of side points, and supports various processes such as single-step operation, integral machining, simulated operation and automatic circular



Model	QUICK ET9383E-BB1	QUICK ET9483E-BB1
Number of controllable axis	3	3
Power consumption	500W	500W
Heating controller power consumption	200W	200W
Movement range	X/Y Axis	300mm
	Z Axis	100mm
Moving speed	X/Y Axis	0.1~800 mm/sec
	Z Axis	0.1~300 mm/sec
Repeatable accuracy	X/Y/Z Axis	± 0.01 mm
Maximum payload	Z Axis	5kg
	Platform	8kg
Operating range	240*300mm	340*400mm
Size (W*D*H)	630x607x730mm	733x710x742mm
Weight	40kg	45kg

Options



QUICK 9036

Tip position calibration device



QUICK 6211

Fume extractor



QUICK 9039

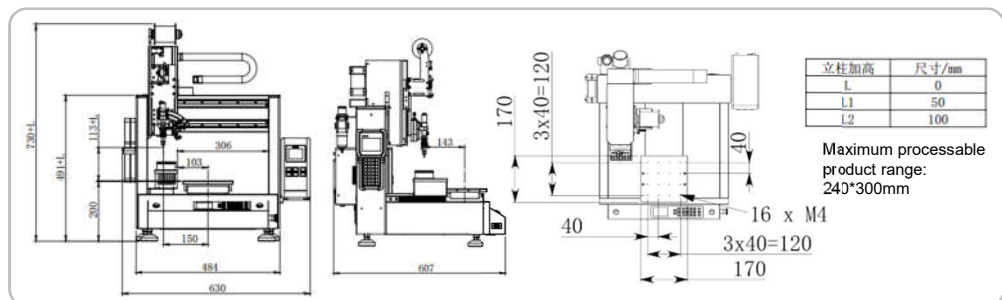
Nitrogen generator



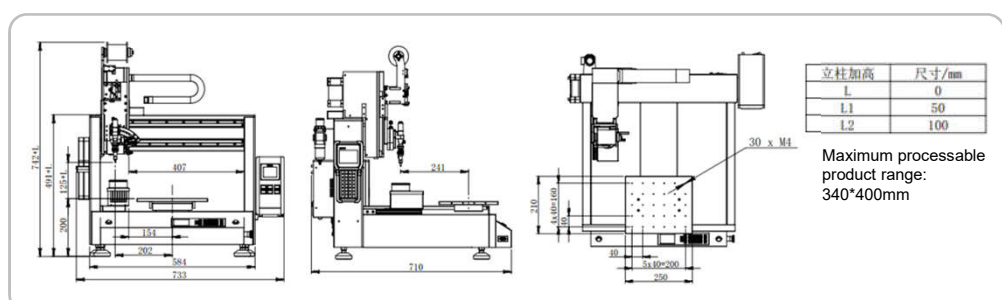
QUICK 371TAA

Solder feeder

ET9383E-BB1 Size



ET9483E-BB1 Size



Desktop soldering robot

QUICK ET9583EYA-BB1



Features

Motion platform

E series soldering platform of high speed and high accuracy, low noise, Y-axis closed-loop control, no lost steps, strong load capacity, modular design, easy maintenance, rich I/O interfaces, support MES to read local data and expand operation use, two-hand start (single and two-hand start optional), safe and reliable.

Heating controller

QUICK378FA temperature controller, high frequency eddy current heating, stable and reliable temperature, fast thermal recovery, connect with computer through RS-485, real-time monitor and set parameters like temperature, solder feeding etc, with abnormal temperature alarm and solder shortage alarm function etc.

Soldering pen

QUICK9018M soldering pen, front temperature sensor, quick sensing of solder joint temperature fluctuation, rapid thermal recovery.

Solder feeder

QUICK371TAA, small size and high precision. controlled by precision stepping motor, the minimum solder feeding length can reach 0.1mm, solder shortage and block alarm function available.

Teach pendant

QUICK9011D teach pendant, supports array and group functions, with the function of side points, and supports various processes such as single-step operation, integral machining, simulated operation and automatic circular

Model	QUICK ET9583EYA-BB1	
Number of controllable axis	3	
Power consumption	500W	
Heating controller power consumption	200W	
Movement range	X/Y Axis	500mm/400mm
	Z Axis	100mm
Moving speed	X/Y Axis	0.1~800 mm/sec
	Z Axis	0.1~300 mm/sec
Repeatable accuracy	X/Y/Z Axis	± 0.01 mm
Maximum payload	Z Axis	5kg
	Platform	8kg
Operating range	200*400mm (Double Y axes)	
Size (W*D*H)	830x707x731mm	
Weight	55kg	

Options



QUICK 9036
Tip position calibration device



QUICK 6211
Fume extractor

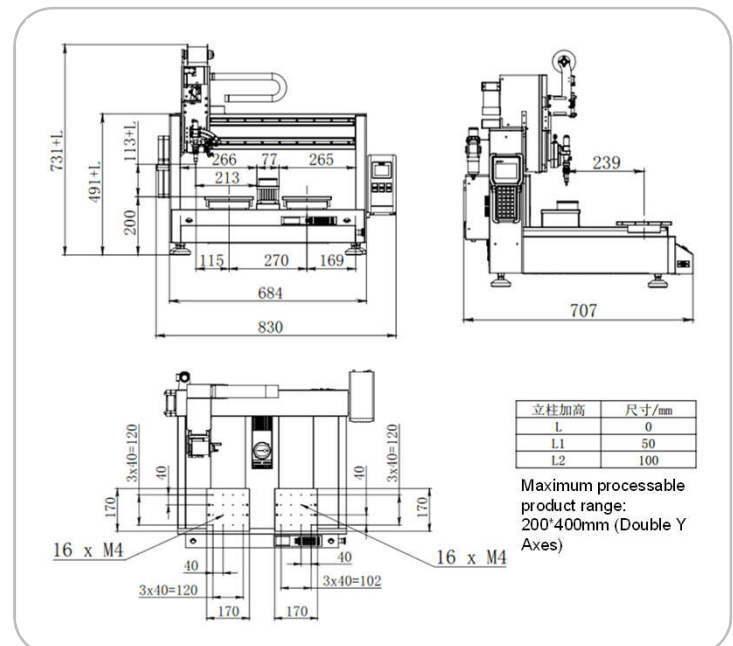


QUICK 9039
Nitrogen generator



QUICK 371TAA
Solder feeder

Size



Desktop soldering robot

QUICK ET9384E-BB1/9484E-BB1

Features

Motion platform

E series soldering platform of high speed and high accuracy, low noise, Y-axis closed-loop control, no lost steps, strong load capacity, modular design, easy maintenance, rich I/O interfaces, support MES to read local data and expand operation use, two-hand start (single and two-hand start optional), safe and reliable.

Heating controller

QUICK378FA temperature controller, high frequency eddy current heating, stable and reliable temperature, fast thermal recovery, connect with computer through RS-485, real-time monitor and set parameters like temperature, solder feeding etc, with abnormal temperature alarm and solder shortage alarm function etc.

Soldering pen

QUICK9018M soldering pen, front temperature sensor, quick sensing of solder joint temperature fluctuation, rapid thermal recovery.

Solder feeder

QUICK371TAA, small size and high precision. controlled by precision stepping motor, the minimum solder feeding length can reach 0.1mm, solder shortage and block alarm function available.

Teach pendant

QUICK9011D teach pendant, supports array and group functions, with the function of side points, and supports various processes such as single-step operation, integral machining, simulated operation and automatic circular.



Model	QUICK ET9384E-BB1	QUICK ET9484E-BB1
Number of controllable axis	4	4
Power consumption	600W	600W
Heating controller power consumption	200W	200W
Movement range	X/Y Axis	300mm
	Z Axis	100mm
	R Axis	±180°
Moving speed	X/Y Axis	0.1~800 mm/sec
	Z Axis	0.1~300 mm/sec
	R Axis	0.1~800° /sec
Repeatable accuracy	X/Y/Z Axis	±0.01 mm
	R Axis	±0.02°
Maximum payload	Z Axis	3kg
	Platform	8kg
Operating range	240*300mm	340*400mm
Size (W*D*H)	633x618x852mm	732x723x852mm
Weight	45kg	55kg

Options



QUICK 9036

Tip position calibration device



QUICK 6211

Fume extractor



QUICK 9039

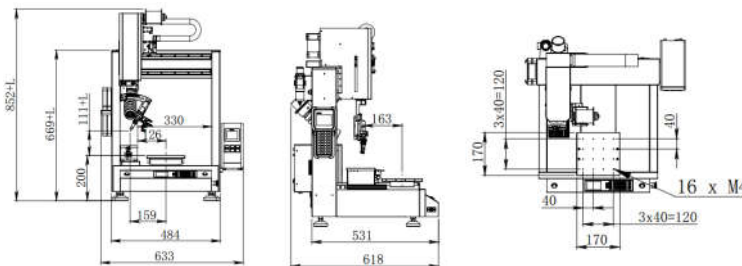
Nitrogen generator



QUICK 371TAA

Solder feeder

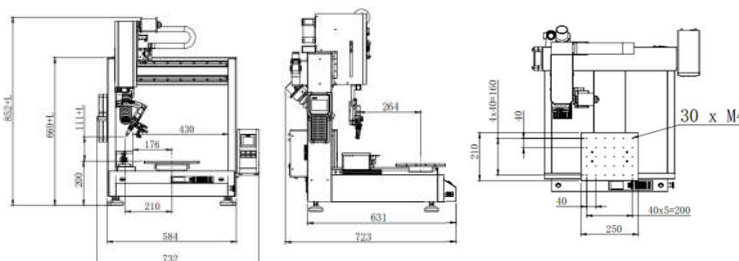
ET9384E-BB1 Size



立柱加高	尺寸/mm
L	0
L1	50
L2	100

Maximum processable product range:
240*300mm

ET9484E-BB1 Size



立柱加高	尺寸/mm
L	0
L1	50
L2	100

Maximum processable product range:
340*400mm

Desktop soldering robot

Features

QUICK ET9584EYA-BB1



Motion platform

E series soldering platform of high speed and high accuracy, low noise, Y-axis closed-loop control, no lost steps, strong load capacity, modular design, easy maintenance, rich I/O interfaces, support MES to read local data and expand operation use, two-hand start (single and two-hand start optional), safe and reliable.

Heating controller

QUICK378FA temperature controller, high frequency eddy current heating, stable and reliable temperature, fast thermal recovery, connect with computer through RS-485, real-time monitor and set parameters like temperature, solder feeding etc, with abnormal temperature alarm and solder shortage alarm function etc.

Soldering pen

QUICK9018M soldering pen, front temperature sensor, quick sensing of solder joint temperature fluctuation, rapid thermal recovery.

Solder feeder

QUICK371TAA, small size and high precision. controlled by precision stepping motor, the minimum solder feeding length can reach 0.1mm, solder shortage and block alarm function available.

Teach pendant

QUICK9011D teach pendant, supports array and group functions, with the function of side points, and supports various processes such as single-step operation, integral machining, simulated operation and automatic circular.

Model		QUICK ET9584EYA-BB1
Number of controllable axis		4 Axes
Power consumption		600W
Heating controller power consumption		200W
Movement range	X/Y Axis	500mm/400mm
	Z Axis	100mm
	R Axis	± 180°
Moving speed	X/Y Axis	0.1~800 mm/sec
	Z Axis	0.1~300 mm/sec
	R Axis	0.1~800° /sec
Repeatable accuracy	X/Y/Z Axis	± 0.01 mm
	R Axis	± 0.02°
Maximum payload	Z Axis	3kg
	Platform	8kg
Operating range		200*400mm (Double Y axes)
Size (W*D*H)		833x723x852mm
Weight		65kg

Options



QUICK 9036
Tip position calibration device



QUICK 6211
Fume extractor

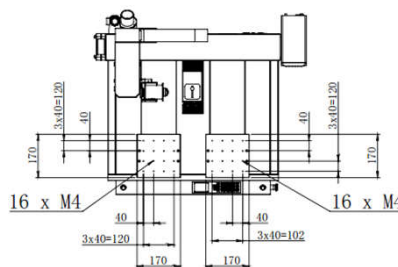
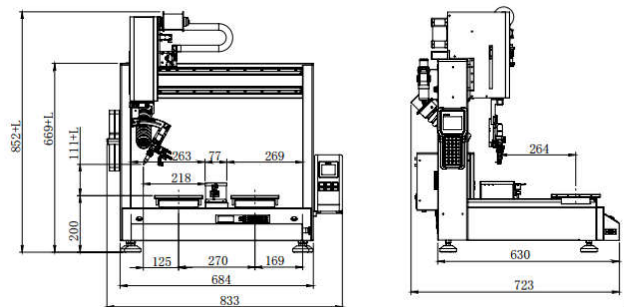


QUICK 9039
Nitrogen generator



QUICK 371TAA
Solder feeder

Size



立柱加高	尺寸/mm
L	0
L1	50
L2	100

Maximum processable product range:
200*400mm (Double Y Axes)

Desktop soldering robot

QUICK ET9383ED-BB1/9483ED-BB1

Features

Motion platform

E series soldering platform of high speed and high accuracy, low noise, Y-axis closed-loop control, no lost steps, strong load capacity, modular design, easy maintenance, rich I/O interfaces, support MES to read local data and expand operation use, two-hand start (single and two-hand start optional), safe and reliable.

Heating controller

QUICK378FA temperature controller, high frequency eddy current heating, stable and reliable temperature, fast thermal recovery, connect with computer through RS-485, real-time monitor and set parameters like temperature, solder feeding etc, with abnormal temperature alarm and solder shortage alarm function etc.

Soldering pen

QUICK9018M soldering pen, QUICK9018BMT for N2 optional

Solder feeder

QUICK371TAA, small size and high precision. controlled by precision stepping motor, the minimum solder feeding length can reach 0.1mm, solder shortage and block alarm function available.

Teach pendant

QUICK9011D teach pendant, supports array and group functions, with the function of side points, and supports various processes such as single-step operation, integral machining, simulated operation and automatic circular.

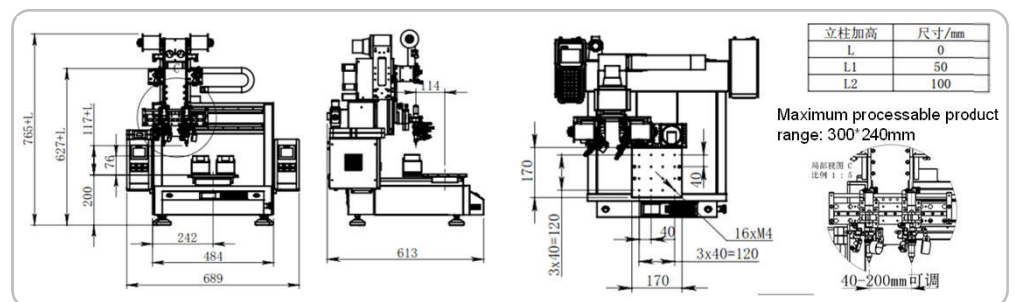


Model	QUICK ET9383ED-BB1	QUICK ET9483ED-BB1
Number of controllable axis	3	3
Power consumption	700W	700W
Heating controller power consumption	200W	200W
Movement range	X/Y Axis	300mm
	Z Axis	100mm
Moving speed	X/Y Axis	0.1~800 mm/sec
	Z Axis	0.1~300 mm/sec
Repeatable accuracy	X/Y/Z Axis	± 0.01 mm
Maximum payload	Z Axis	5kg
	Platform	8kg
Operating range	300*240mm	400*340mm
Size (W*D*H)	690x615x765mm	790x715x765mm
Weight	40kg	45kg

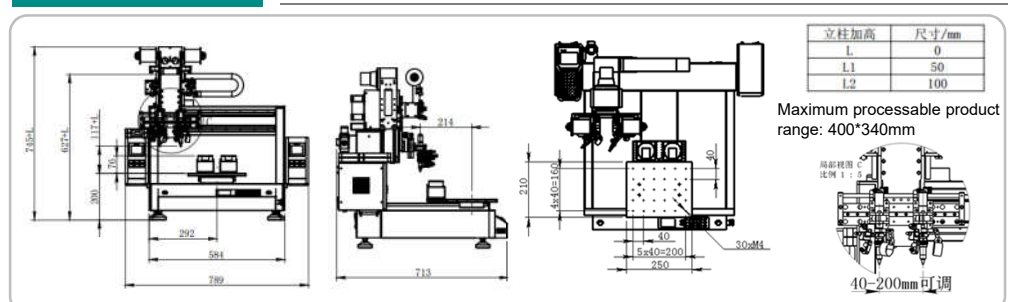
Options



ET9383ED-BB1 Size



ET9483ED-BB1 Size



Desktop soldering robot

QUICK ET9393F-A/9493F-A



Features

Motion platform

F series soldering platform of high speed and high accuracy, low noise, Y-axis closed-loop control, no lost steps, strong load capacity, modular design, easy maintenance, rich I/O interfaces, support MES to read local data and expand operation use, two-hand start (single and two-hand start optional), safe and reliable.

Heating controller

QUICK378FA temperature controller, high frequency eddy current heating, stable and reliable temperature, fast thermal recovery, connect with computer through RS-485, real-time monitor and set parameters like temperature, solder feeding etc, with abnormal temperature alarm and solder shortage alarm function etc.

Soldering pen

QUICK9018M soldering pen, front temperature sensor, quick sensing of solder joint temperature fluctuation, rapid thermal recovery.

Solder feeder

QUICK371TAA, small size and high precision. controlled by precision stepping motor, the minimum solder feeding length can reach 0.1mm, solder shortage and block alarm function available.

Teach pendant

QUICK9011D teach pendant, supports array and group functions, with the function of side points, and supports various processes such as single-step operation, integral machining, simulated operation and automatic circular.

Model	QUICK ET9393F-A	QUICK ET9493F-A
Number of controllable axis	3	3
Power consumption	500W	500W
Heating controller power consumption	200W	200W
Movement range	X/Y Axis	300mm
	Z Axis	100mm
Moving speed	X/Y Axis	0.1~800 mm/sec
	Z Axis	0.1~300 mm/sec
Repeatable accuracy	X/Y/Z Axis	± 0.01 mm
Maximum payload	Z Axis	5kg
	Platform	8kg
Operating range	240*300mm	340*400mm
Size (W*D*H)	645x571x736mm	695x690x700mm
Weight	60kg	70kg

Options

ET9393F-A Size



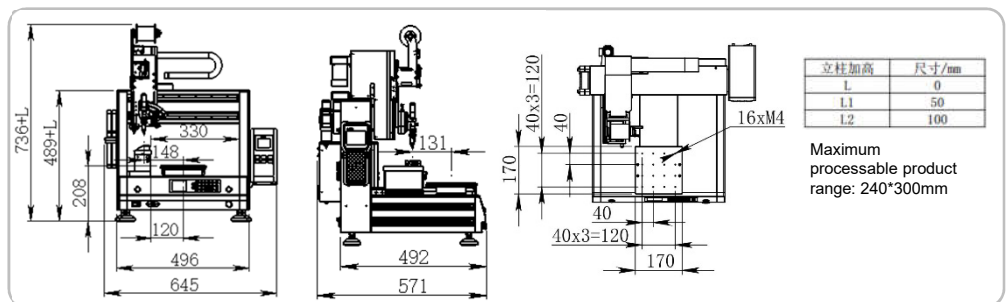
QUICK 9036

Tip position calibration device



QUICK 6211

Fume extractor



ET9493F-A Size



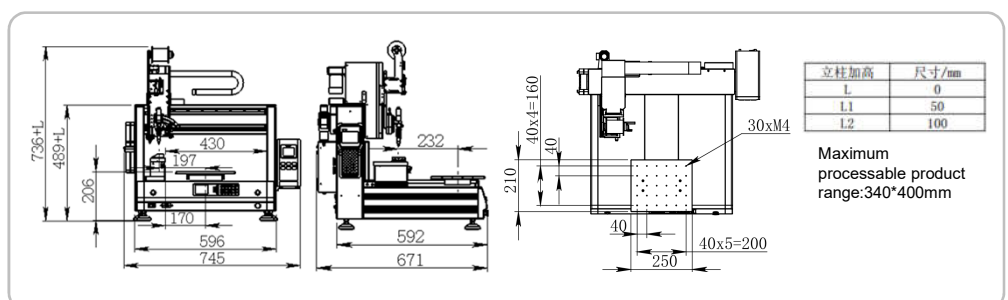
QUICK 9039

Nitrogen generator



QUICK 371TAA

Solder feeder



Desktop soldering robot

QUICK ET9593FYA-A



Features

Motion platform

F series soldering platform of high speed and high accuracy, low noise, Y-axis closed-loop control, no lost steps, strong load capacity, modular design, easy maintenance, rich I/O interfaces, support MES to read local data and expand operation use, two-hand start (single and two-hand start optional), safe and reliable.

Heating controller

QUICK378FA temperature controller, high frequency eddy current heating, stable and reliable temperature, fast thermal recovery, connect with computer through RS-485, real-time monitor and set parameters like temperature, solder feeding etc, with abnormal temperature alarm and solder shortage alarm function etc.

Soldering pen

QUICK9018M soldering pen, front temperature sensor, quick sensing of solder joint temperature fluctuation, rapid thermal recovery.

Solder feeder

QUICK371TAA, small size and high precision, controlled by precision stepping motor, the minimum solder feeding length can reach 0.1mm, solder shortage and block alarm function available.

Teach pendant

QUICK9011D teach pendant, supports array and group functions, with the function of side points, and supports various processes such as single-step operation, integral machining, simulated operation and automatic circular.

Model	QUICK ET9593FYA-A	
Number of controllable axis	3	
Power consumption	500W	
Heating controller power consumption	200W	
Movement range	X/Y Axis	500mm/400mm
	Z Axis	100mm
Moving speed	X/Y Axis	0.1~800 mm/sec
	Z Axis	0.1~300 mm/sec
Repeatable accuracy	X/Y/Z Axis	± 0.01 mm
Maximum payload	Z Axis	5kg
	Platform	8kg
Operating range	200*400mm (Double Y axes)	
Size (W*D*H)	845x671x736mm	
Weight	80kg	

Options



QUICK 9036

Tip position calibration device



QUICK 6211

Fume extractor



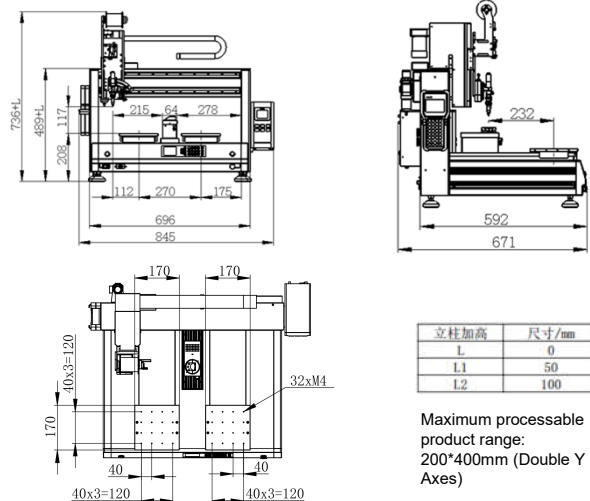
QUICK 9039

Nitrogen generator



QUICK 371TAA
Solder feeder

Size



Desktop soldering robot

QUICK ET9394F-A/9494F-A



Features

Motion platform

F series soldering platform of high speed and high accuracy, low noise, Y-axis closed-loop control, no lost steps, strong load capacity, modular design, easy maintenance, rich I/O interfaces, support MES to read local data and expand operation use, two-hand start (single and two-hand start optional), safe and reliable.

Heating controller

QUICK378FA temperature controller, high frequency eddy current heating, stable and reliable temperature, fast thermal recovery, connect with computer through RS-485, real-time monitor and set parameters like temperature, solder feeding etc, with abnormal temperature alarm and solder shortage alarm function etc.

Soldering pen

QUICK9018M soldering pen, front temperature sensor, quick sensing of solder joint temperature fluctuation, rapid thermal recovery.

Solder feeder

QUICK371TAA, small size and high precision, controlled by precision stepping motor, the minimum solder feeding length can reach 0.1mm, solder shortage and block alarm function available.

Teach pendant

QUICK9011D teach pendant, supports array and group functions, with the function of side points, and supports various processes such as single-step operation, integral machining, simulated operation and automatic circular.

Model	QUICK ET9394F-A	QUICK ET9494F-A
Number of controllable axis	4	4
Power consumption	600W	600W
Heating controller power consumption	200W	200W
Movement range	X/Y Axis	300mm
	Z Axis	100mm
	R Axis	±180°
Moving speed	X/Y Axis	0.1~800 mm/sec
	Z Axis	0.1~300 mm/sec
	R Axis	0.1~600° /sec
Repeatable accuracy	X/Y/Z Axis	±0.01 mm
	R Axis	±0.02°
Maximum payload	Z Axis	3kg
	Platform	8kg
Operating range	260*300mm	340*400mm
Size (W*D*H)	645x579x899mm	745x679x899mm
Weight	70kg	80kg

Options



QUICK 9036

Tip position calibration device



QUICK 6211

Fume extractor



QUICK 9039

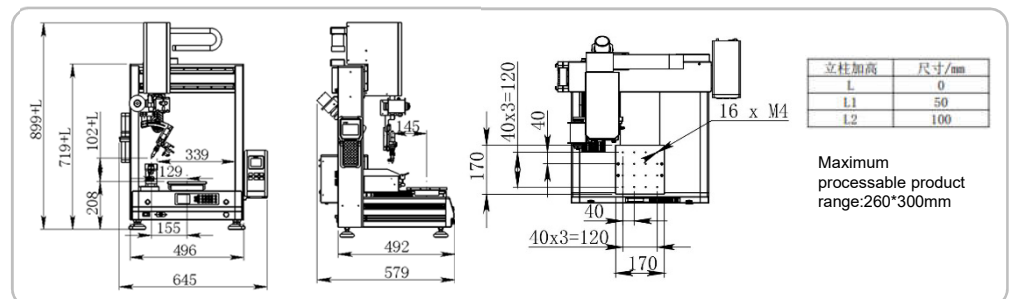
Nitrogen generator



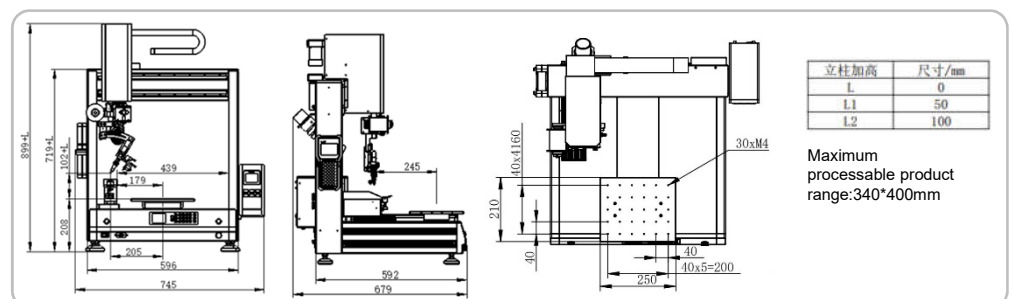
QUICK 371TAA

Solder feeder

ET9394F-A Size



ET9494F-A Size



Desktop soldering robot

QUICK ET9594FYA-A



Features

Motion platform

F series soldering platform of high speed and high accuracy, low noise, Y-axis closed-loop control, no lost steps, strong load capacity, modular design, easy maintenance, rich I/O interfaces, support MES to read local data and expand operation use, two-hand start (single and two-hand start optional), safe and reliable.

Heating controller

QUICK378FA temperature controller, high frequency eddy current heating, stable and reliable temperature, fast thermal recovery, connect with computer through RS-485, real-time monitor and set parameters like temperature, solder feeding etc, with abnormal temperature alarm and solder shortage alarm function etc.

Soldering pen

QUICK9018M soldering pen, front temperature sensor, quick sensing of solder joint temperature fluctuation, rapid thermal recovery.

Solder feeder

QUICK371TAA, small size and high precision, controlled by precision stepping motor, the minimum solder feeding length can reach 0.1mm, solder shortage and block alarm function available.

Teach pendant

QUICK9011D teach pendant, supports array and group functions, with the function of side points, and supports various processes such as single-step operation, integral machining, simulated operation and automatic circular.

Model	QUICK ET9594FYA-A	
Number of controllable axis	4	
Power consumption	600W	
Heating controller power consumption	200W	
Movement range	X/Y Axis	500mm/400mm
	Z Axis	100mm
	R Axis	± 180°
Moving speed	X/Y Axis	0.1~800 mm/sec
	Z Axis	0.1~300 mm/sec
	R Axis	0.1~600° /sec
Repeatable accuracy	X/Y/Z Axis	± 0.01 mm
	R Axis	± 0.02°
Maximum payload	Z Axis	3kg
	Platform	8kg
Operating range	200*400mm (Double Y)	
Size (W*D*H)	845x679x899mm	
Weight	90kg	

Options



QUICK 9036

Tip position calibration device



QUICK 6211

Fume extractor



QUICK 9039

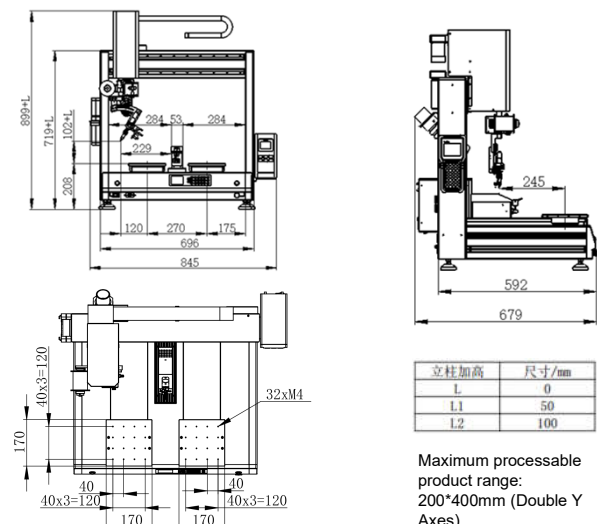
Nitrogen generator



QUICK 371TAA

Solder feeder

Size



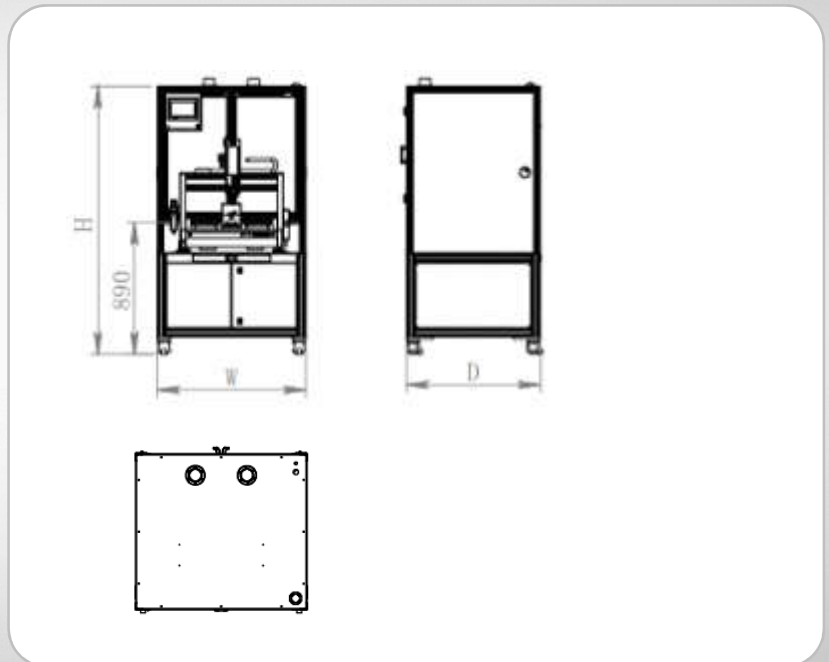
Semi-closed Work Enclosure

QUICK ECS40A

Size



* Without soldering robot



Options



Light tree



Light curtain



PC

Specifications

Model	Size			Maximum movement range		Compatible robot model
	Width(W)	Depth(D)	Height(H)	X	Y	
ECS40AB	1000mm	900mm	1800mm	500mm	400mm	ET9583EYA-BB1/ET9584EYA-BB1
				500mm	500mm	ET9593F-A/ET9594F-A/ET9593FY-A/ ET9594FY-A
				500mm	400mm	ET9593FA-A/ET9594FA-A/ET9593FYA-A/ ET9594FYA-A
ECS40AC	900mm	900mm	1800mm	400mm	400mm	ET9483E-BB1/ET9484E-BB1
				300mm	300mm	ET9383E-BB1/ET9384E-BB1
				400mm	400mm	ET9493F-A/ET9494F-A
				300mm	300mm	ET9393F-A/ET9394F-A

Gantry soldering robot

QUICK 9152N 9252N



Features

Precision screw drive

Precision screw module structure, with strong load capacity and high operation precision.

Intelligent temperature compensation

High frequency current heating, fast heating and thermal recovery.

Alarm functions

Temperature abnormal and solder wire shortage alarm available.

Real-time communication function

Communicate with computer through RS-485, real-time viewing and setting temperature and solder feeding parameters etc.

MES function

Reading local data through MES.

Teach pendant

Handheld teach pendant, easy to program.

Model	QUICK 9152N	QUICK 9252N
Number of controllable axis	2	2
Power consumption	300W	300W
Heating controller power consumption	150W	150W
Movement range	X Axis	100mm
	Z Axis	100mm
Moving speed	X/Y Axis	0.1~300 mm/sec
	Z Axis	0.1~300 mm/sec
Repeatable accuracy	X/Y/Z Axis	± 0.02 mm
Maximum payload	Z axis	3kg
Size (W*D*H)	300×500×540mm	300×600×540mm
Weight	18kg	20kg

Options



QUICK 9036
Tip position
calibration device



QUICK 6211
Fume extractor



QUICK 9039
Nitrogen generator

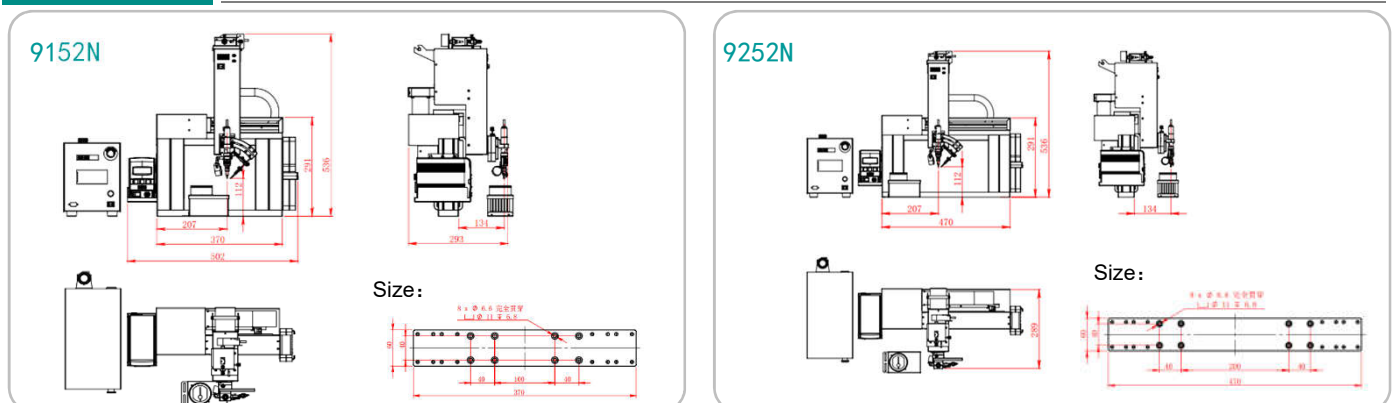


QUICK 371TIAA
Solder feeder



**Servo motion
control system**

Size



Gantry soldering robot

QUICK 9153N(A) 9253N(A)



Features

Precision screw drive

Precision screw module structure, with strong load capacity and high operation precision.

Intelligent temperature compensation

High frequency current heating, fast heating and thermal recovery.

Alarm functions

Temperature abnormal and solder wire shortage alarm available.

Real-time communication function

Communicate with computer through RS-485. Real-time viewing and setting temperature and solder feeding parameters etc.

MES function

Reading local data through MES.

Teach pendant

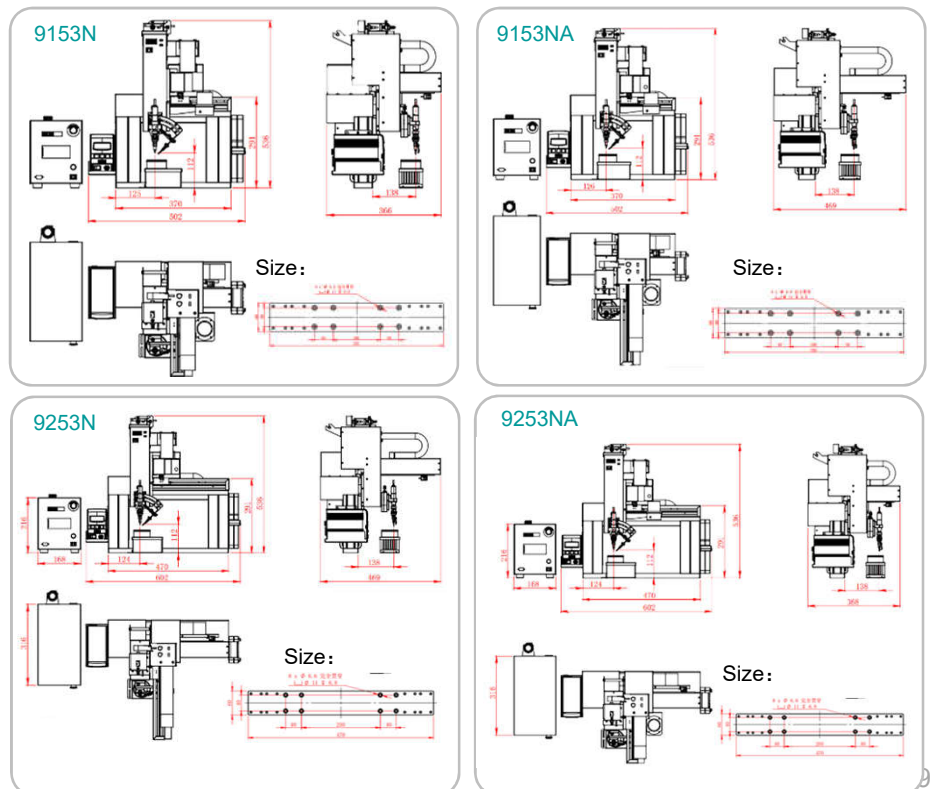
Handheld teach pendant, easy to program.

Model	QUICK 9153N	QUICK 9153NA	QUICK 9253N	QUICK 9253NA
Number of controllable axis	3	3	3	3
Power consumption	300W	300W	300W	300W
Heating controller power consumption	150W	150W	150W	150W
Movement range	X Axis	100mm	100/200mm	200mm
	Z Axis	100mm	100mm	100mm
Moving speed	X/Y Axis	0.1~300 mm/sec	0.1~300 mm/sec	0.1~300 mm/sec
	Z Axis	0.1~300 mm/sec	0.1~300 mm/sec	0.1~300 mm/sec
Repeatable accuracy	X/Y/Z axis	± 0.02 mm	± 0.02 mm	± 0.02 mm
	Z axis	3kg	3kg	3kg
Maximum payload	3kg	3kg	3kg	3kg
Size (W*D*H)	500×370×540mm	500×470×540mm	600×470×540mm	600×370×540mm
Weight	32kg	35kg	36kg	35kg

Options



Size



Gantry soldering robot

QUICK 9353N(A) 9453NA



Features

Precision screw drive

Precision screw module structure, with strong load capacity and high operation precision.

Intelligent temperature compensation

High frequency current heating, fast heating and thermal recovery.

Alarm functions

Temperature abnormal and solder wire shortage alarm available.

Real-time communication function

Communicate with computer through RS-485. Real-time viewing and setting temperature and solder feeding parameters etc.

MES function

Reading local data through MES.

Teach pendant

Handheld teach pendant, easy to program.

Model	QUICK 9353N	QUICK 9353NA	QUICK 9453NA	
Number of controllable axis	3	3	3	
Power consumption	400W	400W	400W	
Heating controller power consumption	200W	200W	200W	
Movement range	X Axis	300mm	300/200mm	400/300mm
	Z Axis	100mm	100mm	100mm
Moving speed	X/Y Axis	0.1~300 mm/sec	0.1~300 mm/sec	0.1~300 mm/sec
	Z Axis	0.1~300 mm/sec	0.1~300 mm/sec	0.1~300 mm/sec
Repeatable accuracy	X/Y/Z Axis	± 0.02 mm	± 0.02 mm	± 0.02 mm
Maximum payload	Z Axis	3kg	3kg	3kg
Size (W*D*H)	650×620×520mm	650×520×520mm	750×620×520mm	
Weight	36kg	36kg	40kg	

Options



QUICK 9036
Tip position calibration device



QUICK 6211
Fume extractor



QUICK 9039
Nitrogen generator



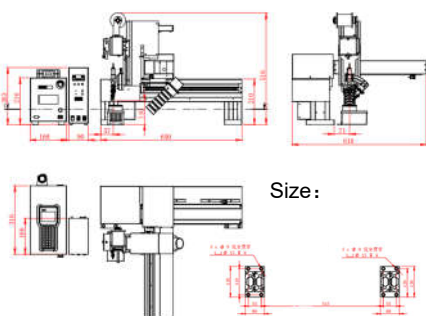
QUICK 371TIAA
Solder feeder



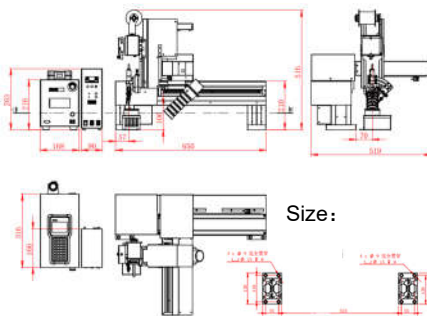
Servo motion control system

Size

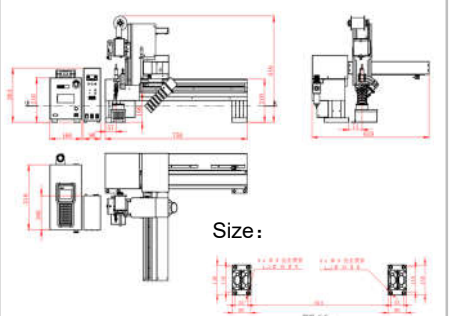
9353N



9353NA



9453NA



Gantry soldering robot

QUICK 9154N(A) 9254N(A)



Features

Precision screw drive

Precision screw module structure, with strong load capacity and high operation precision.

Intelligent temperature compensation

High frequency current heating, fast heating and thermal recovery.

Alarm functions

Temperature abnormal and solder wire shortage alarm available.

Real-time communication function

Communicate with computer through RS-485. Real-time viewing and setting temperature and solder feeding parameters etc.

MES function

Reading local data through MES.

Teach pendant

Handheld teach pendant, easy to program.

Model	QUICK 9154N	QUICK 9154NA	QUICK 9254N	QUICK 9254NA	
Number of controllable axis	4	4	4	4	
Power consumption	350W	350W	350W	350W	
Heating controller power consumption	150W	150W	150W	150W	
Movement range	X/Y Axis	100mm	100/200mm	200mm	
	Z Axis	100mm	100mm	100mm	
	R Axis	±180°	±180°	±180°	±180°
Moving speed	X/Y Axis	0.1~300 mm/sec	0.1~300 mm/sec	0.1~300 mm/sec	0.1~300 mm/sec
	Z Axis	0.1~300 mm/sec	0.1~300 mm/sec	0.1~300 mm/sec	0.1~300 mm/sec
	R Axis	0.1~600° /sec	0.1~600° /sec	0.1~600° /sec	0.1~600° /sec
Repeatable accuracy	X/Y/Z Axis	±0.02 mm	±0.02 mm	±0.02 mm	±0.02 mm
	R Axis				
Maximum payload	Z Axis	2kg	2kg	2kg	2kg
Size (W*D*H)	500×370×720mm	500×470×720mm	600×470×720mm	600×370×720mm	
Weight	35kg	37kg	40kg	38kg	

Options



QUICK 9036

Tip position calibration device



QUICK 6211

Fume extractor



QUICK 9039

Nitrogen generator



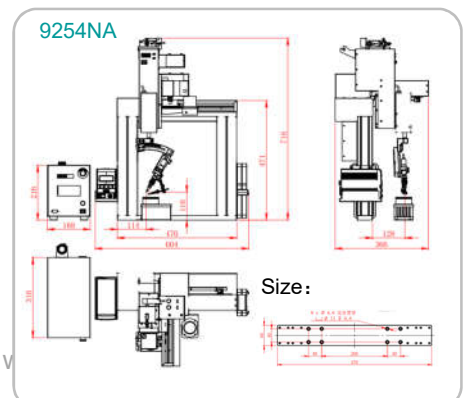
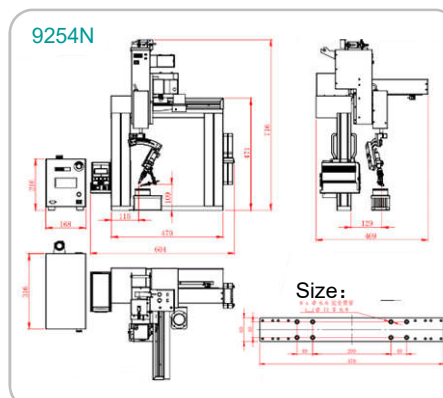
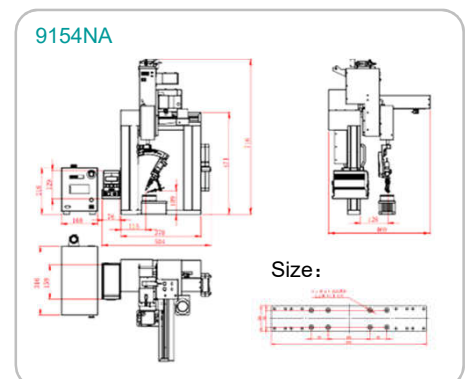
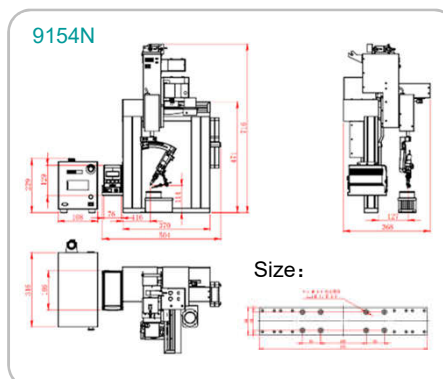
QUICK 371TIAA

Solder feeder



Servo motion control system

Size



Gantry soldering robot

QUICK 9354N(A) 9454NA



Features

Precision screw drive

Precision screw module structure, with strong load capacity and high operation precision.

Intelligent temperature compensation

High frequency current heating, fast heating and thermal recovery.

Alarm functions

Temperature abnormal and solder wire shortage alarm available.

Real-time communication function

Communicate with computer through RS-485. Real-time viewing and setting temperature and solder feeding parameters etc.

MES function

Reading local data through MES.

Teach pendant

Handheld teach pendant, easy to program.

Model	QUICK 9354N	QUICK 9354NA	QUICK 9454NA	
Number of controllable axis	4	4	4	
Power consumption	400W	400W	400W	
Heating controller power consumption	200W	200W	200W	
Movement range	X/Y Axis	300mm	300/200mm	400/300mm
	Z Axis	100mm	100mm	100mm
	R Axis	300°	300°	300°
Moving speed	X/Y Axis	0.1~300 mm/sec	0.1~300 mm/sec	0.1~300 mm/sec
	Z Axis	0.1~300 mm/sec	0.1~300 mm/sec	0.1~300 mm/sec
	R Axis	0.1~600° /sec	0.1~600° /sec	0.1~600° /sec
Repeatable accuracy	X/Y/Z Axis	± 0.02 mm	± 0.02 mm	± 0.02 mm
	R axis			
Maximum payload	Z axis	2kg	2kg	2kg
Size (W*D*H)	650×680×720mm	650×580×720mm	750×680×720mm	
Weight	45kg	48kg	50kg	

Options



QUICK 9036
Tip position calibration device



QUICK 6211
Fume extractor



QUICK 9039
Nitrogen generator

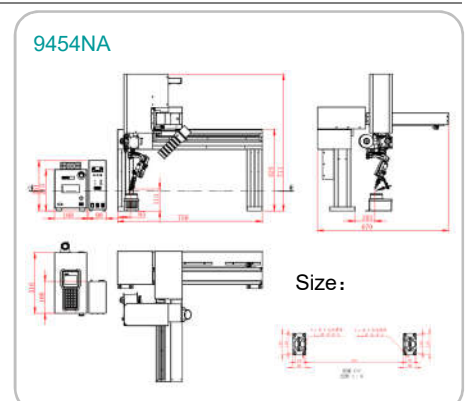
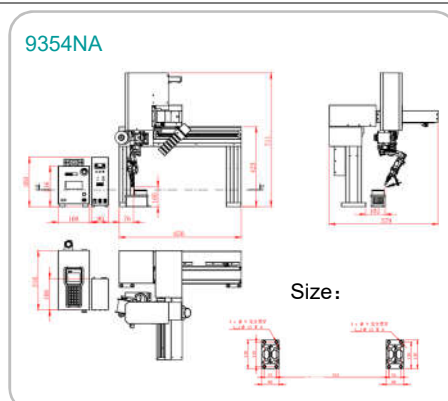
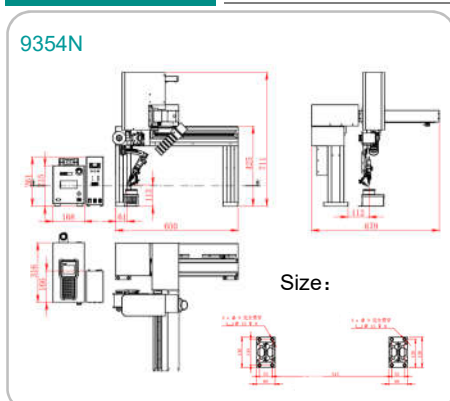


QUICK 371TIAA
Solder feeder



Servo motion control system

Size



Gantry soldering robot

QUICK 9454N



Features

Precision screw drive

Precision screw module structure, with strong load capacity and high operation precision.

Intelligent temperature compensation

High frequency current heating, fast heating and thermal recovery.

Alarm functions

Temperature abnormal and solder wire shortage alarm available.

Real-time communication function

Communicate with computer through RS-485. Real-time viewing and setting temperature and solder feeding parameters etc.

MES function

Reading local data through MES.

Teach pendant

Handheld teach pendant, easy to program.

Model

QUICK 9454N

Number of controllable axis		4
Power consumption		1500W
Heating controller power consumption		200W
Movement range	X/Y Axis	400mm
	Z Axis	100mm
	R Axis	300°
Moving speed	X/Y Axis	0.1~300 mm/sec
	Z Axis	0.1~300 mm/sec
	R Axis	0.1~600° /sec
Repeatable accuracy	X/Y/Z Axis	± 0.02 mm
	R Axis	
Maximum payload	Z Axis	2kg
Size (W*D*H)		950×860×720mm
Weight		108kg

Options



QUICK 9036
Tip position calibration device



QUICK 6211
Fume extractor



QUICK 9039
Nitrogen generator

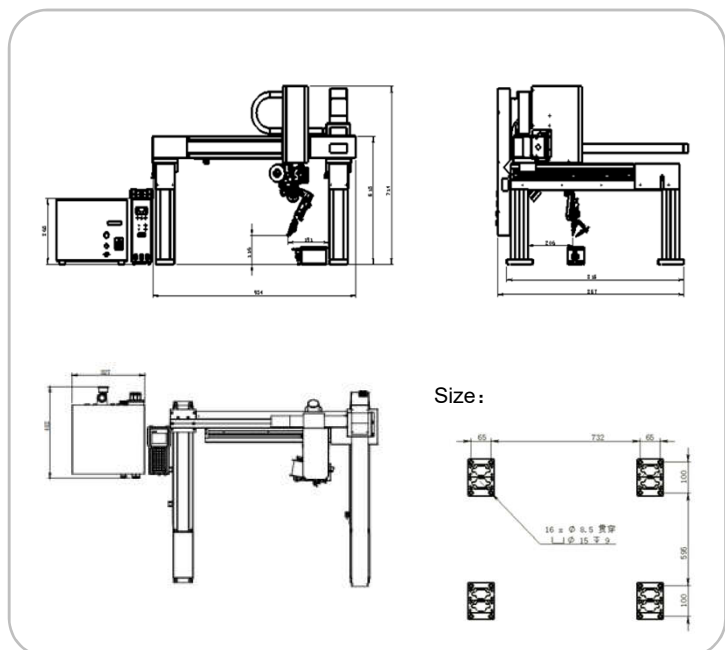


QUICK 371TIAA
Solder feeder



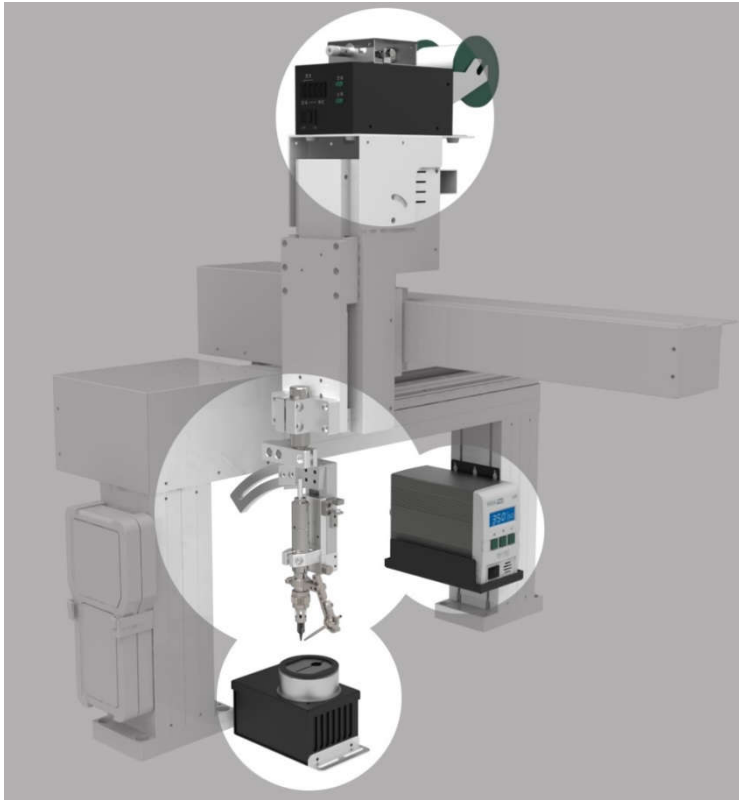
Servo motion control system

Size



Soldering Set

QUICK 7050A



QUICK 262 Heating controller
Power consumption:150W
Size:161*76*128mm
Weight: about 1.2Kg



QUICK 371D Solder feeder
Solder wire diameter: 0.5-1.2mm
Size: 206*82*98mm
Weight: about 1.2Kg



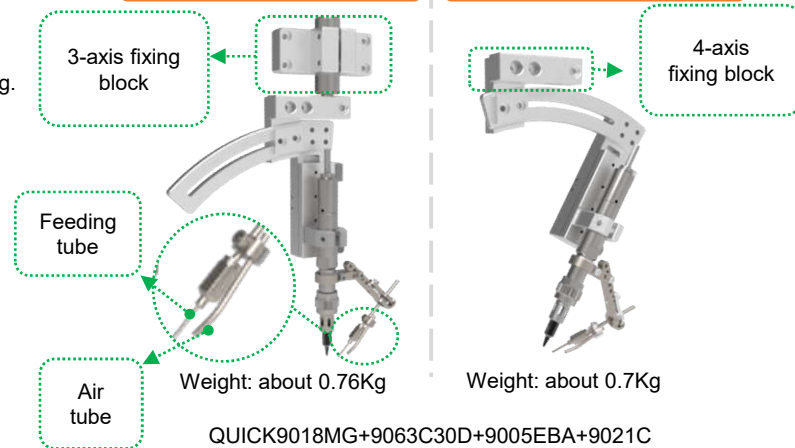
QUICK 9026EE Solder drop box
Size: 138*65*95mm
Weight: about 0.7Kg

Features

- Microcomputer display, PID temperature control, extremely fast temperature rise and recovery, especially suitable for lead free soldering.
- Various solder wires selectable, feeding speed, returning length and alarm mode all adjustable.
- Digital temperature calibration, password protection function.
- Temperature and solder wire shortage alarm available.
- Press key to adjust temperature, with automatic sleep and shutdown functions.
- With short-circuit protection, overheat protection and overvoltage protection.
- Feeding bracket multi-angle adjustable.

Diagram of 3-axis
installation

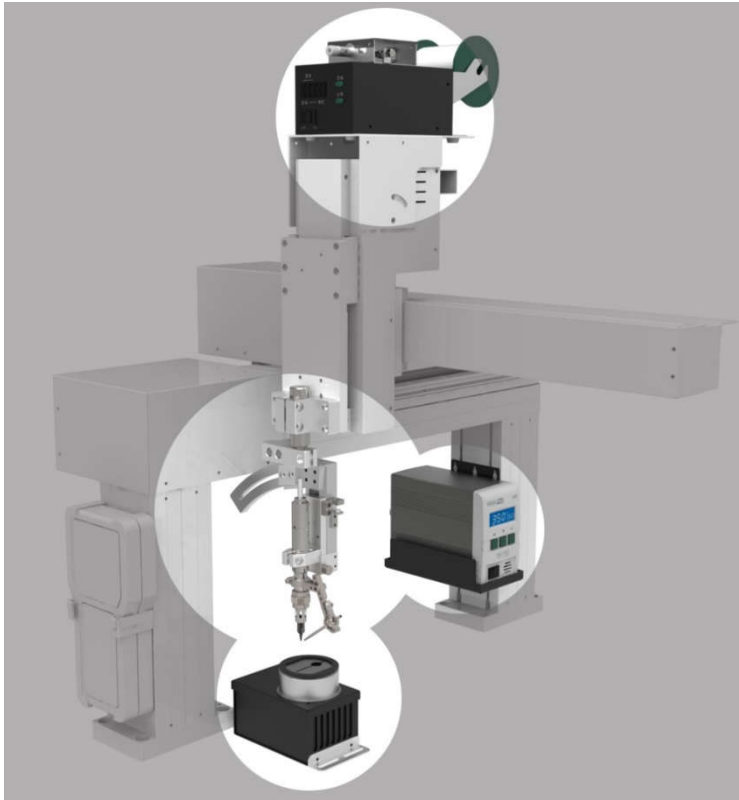
Diagram of 4-axis
installation



Model		QUICK 262
Heating parameter	Voltage	220V AC
	Power consumption	150W
	Temperature range	50°C~500°C
	Soldering pen	QUICK 9018MG
Model		QUICK 371D
Solder feeding parameter	Feeding speed	50mm/s
	Return length of solder	0 _ 4.5mm
	Solder wire detection mode	0_9 (Optional)
	Solder wire diameter (mm)	0.5、0.6、0.8、1.0、1.2

Soldering Set

QUICK 7050AI



QUICK 262 Heating controller
Power consumption:150W
Size:161*76*128mm
Weight: about 1.2Kg



QUICK 371DI Solder feeder
Solder wire diameter: 0.6-1.2mm
Size: 206*82*98mm
Weight: about 1.2Kg



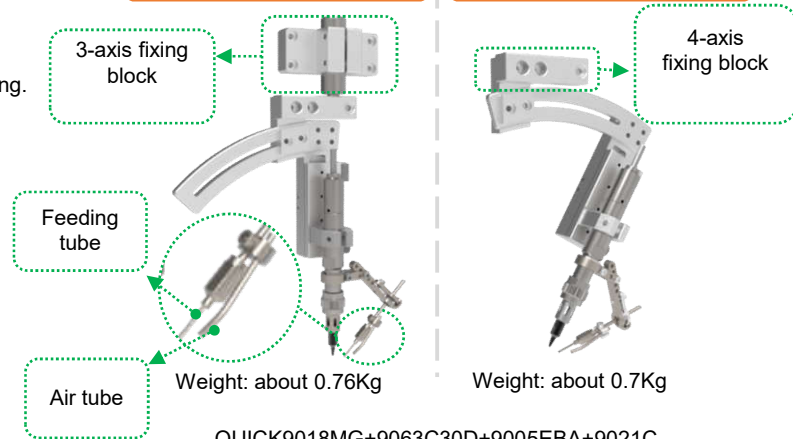
QUICK 9026EE Solder drop box
Size: 138*65*95mm
Weight: about 0.7Kg

Features

- Microcomputer display, PID temperature control, extremely fast temperature rise and recovery, especially suitable for lead free soldering.
- Various solder wires selectable, feeding speed, returning length and alarm mode all adjustable.
- Digital temperature calibration, password protection function.
- Temperature and solder wire shortage alarm available.
- Press key to adjust temperature, with automatic sleep and shutdown functions.
- With short-circuit protection, overheat protection and overvoltage protection.
- Feeding bracket multi-angle adjustable.

Diagram of 3-axis
installation

Diagram of 4-axis
installation



Model		QUICK 262
Heating parameter	Voltage	220V AC
	Power consumption	150W
	Temperature range	50°C~500°C
	Soldering pen	QUICK 9018MG
Model		QUICK 371DI
Solder feeding parameter	Feeding speed	50mm/s
	Return length of solder	0 ~ 4.5mm
	Solder wire detection mode	0.9 (Optional)
	Solder wire diameter (mm)	0.6、0.8、1.0、1.2

Soldering Set

QUICK 7050B



QUICK 378CA Heating controller
Power consumption: 200W
Size: 161*91*257mm
Weight: about 2.9Kg



QUICK 371H Solder feeder
Solder wire diameter: 0.5-1.6mm
Weight: about 1.1Kg
Two installation methods available:
Left and Right



QUICK 9026EE Solder dross box
Size: 138*65*95mm
Weight: about 0.7Kg

Features

- With communication interface, which can be connected with other equipment.
- Microcomputer display, PID temperature control, extremely fast temperature rise and recovery, especially suitable for lead free soldering.
- Various solder wires selectable, feeding speed, returning length and alarm mode all adjustable.
- Digital temperature calibration, password protection function.
- Temperature and solder wire shortage alarm available.
- Press key to adjust temperature, with automatic sleep and shutdown functions.
- With short-circuit protection, overheat protection and overvoltage protection.
- Feeding bracket multi-angle adjustable.

Diagram of 3-axis
installation

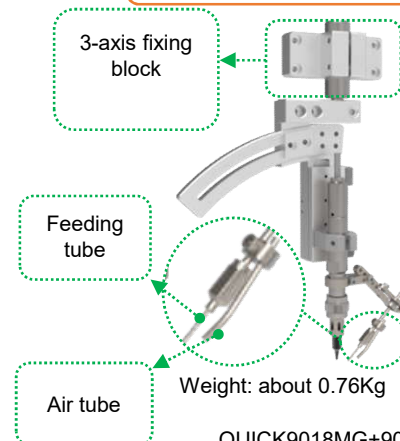
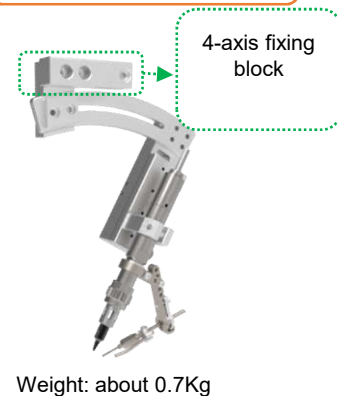


Diagram of 4-axis
installation



QUICK9018MG+9063C30D+9005EBA+9021C

Model		QUICK 378CA
Heating parameter	Voltage	220V AC
	Power consumption	200W
	Temperature range	50°C~500°C
	Soldering pen	QUICK 9018MG
Model		QUICK 371H
Solder feeding parameter	Feeding speed	50mm/s
	Return length of solder	0_ 4.5mm
	Solder wire detection mode	0.9 (Optional)
	Solder wire diameter (mm)	0.5、0.6、0.8、1.0、1.2、1.6

Soldering Set

QUICK 7050BI



QUICK 378CA Heating controller
Power consumption: 200W
Size:161*91*257mm
Weight: about 2.9Kg



QUICK 371HI Solder feeder
Solder wire diameter: 0.6-1.6mm
Weight: about 1.3Kg
Two installation methods available:
Left and Right.



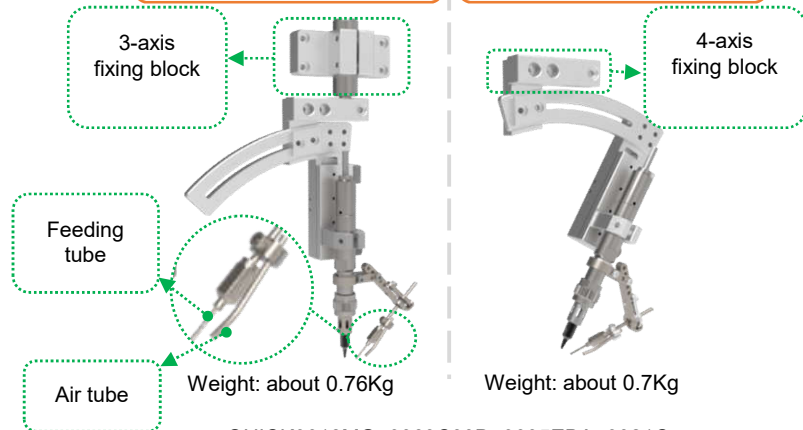
QUICK 9026EE Solder dross box
Size: 138*65*95mm
Weight: about 0.7Kg

Features

- With communication interface, which can be connected with other equipment.
- Microcomputer display, PID temperature control, extremely fast temperature rise and recovery, especially suitable for lead free soldering.
- Various solder wires selectable, feeding speed, returning length and alarm mode all adjustable.
- Digital temperature calibration, password protection function.
- Temperature and solder wire shortage alarm available.
- Press key to adjust temperature, with automatic sleep and shutdown functions.
- With short-circuit protection, overheat protection and overvoltage protection.
- Feeding bracket multi-angle adjustable.

Diagram of 3-axis installation

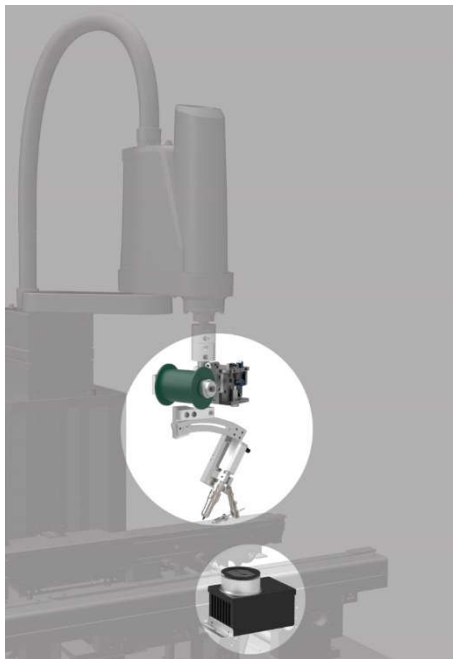
Diagram of 4-axis installation



Model		QUICK 378CA
Heating parameter	Voltage	220V AC
	Power consumption	200W
	Temperature range	50°C~500°C
	Soldering pen	QUICK 9018MG
Model		QUICK 371HI
Solder feeding parameter	Feeding speed	50mm/s
	Return length of solder	0 ~ 4.5mm
	Solder wire detection mode	0.9 (Optional)
	Solder wire diameter (mm)	0.6、0.8、1.0、1.2、1.6

Soldering Set

QUICK 7050C



Front installation



Side installation



QUICK 378FA Heating controller
Power consumption: 200W
Size: 198*98*206mm
Weight: about 2.8Kg



QUICK 371T Front solder feeder
Power consumption: 20W
Solder wire diameter: 0.3-1.2mm
Size: 168*80*112mm
Weight: about 0.7Kg



QUICK 9026EE Solder dross box
Size: 138*65*95mm
Weight: about 0.7Kg

QUICK 371T Side solder feeder
Power consumption: 20W
Solder wire diameter: 0.2-1.6mm
Size: 206*94*111mm
Weight: about 0.8Kg

Features

- With communication interface, which can be connected with other equipment.
- Microcomputer display, PID temperature control, extremely fast temperature rise and recovery, especially suitable for lead free soldering.
- Nitrogen protection optional.
- Various solder wires selectable, feeding speed, returning length and alarm mode all adjustable.
- Digital temperature calibration, password protection function.
- Temperature and solder wire shortage alarm available.
- Press key to adjust temperature, with automatic sleep and shutdown functions.
- With short-circuit protection, overheat protection and overvoltage protection.
- Feeding bracket multi-angle adjustable.

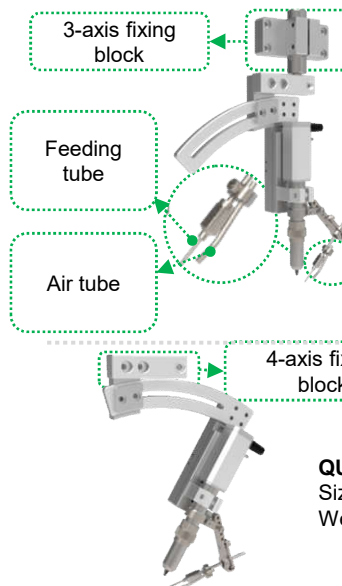


Diagram of 3-axis installation

QUICK 9018BMT Soldering pen fixing assembly
Size(W*H): 200*264mm
Weight: about 0.75Kg

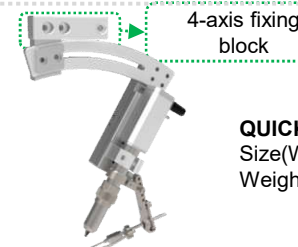


Diagram of 4-axis installation

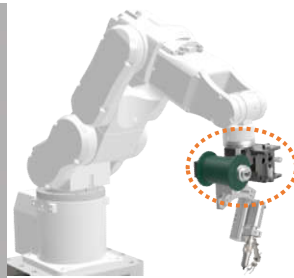
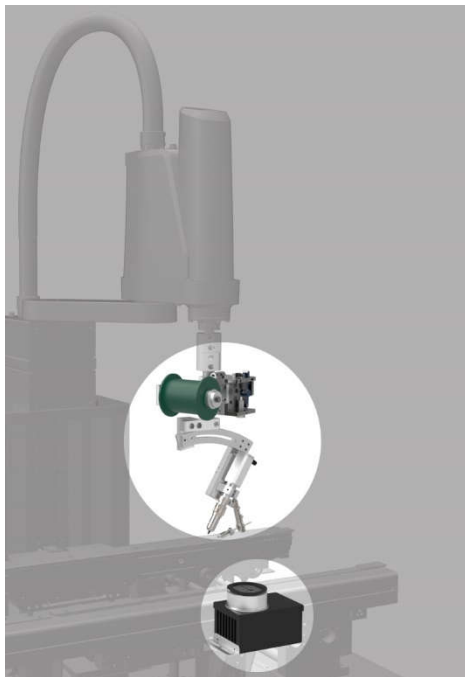
QUICK 9018BMT Soldering pen fixing assembly
Size(W*H): 157*208mm
Weight: about 0.7Kg

QUICK 908BMT+9063C30D+9005EDA-JSCZKK131+9021C

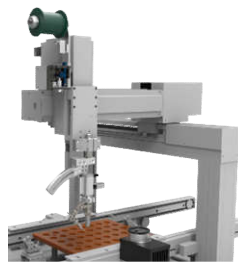
Model		QUICK 378FA
Heating parameter	Voltage	220V AC
	Power consumption	200W
	Temperature range	50°C~500°C
	Soldering pen	QUICK 9018MG
Model		QUICK 371T
Solder feeding parameter	Feeding speed	50mm/s
	Return length of solder	0 _ 4.5mm
	Solder wire detection mode	0.9 (Optional)
	Solder wire diameter (mm)	0.3, 0.4, 0.5, 0.6, 0.8, 1.0, 1.2

Soldering Set

QUICK 7050CI



Front installation



Side installation



QUICK 378FA Heating controller
Power consumption: 200W
Size: 198*98*206mm
Weight: about 2.8Kg



QUICK 371TI Front solder feeder
Power consumption: 20W
Solder wire diameter: 0.5-1.2mm
Size: 168*80*112mm
Weight: about 0.7Kg



QUICK 9026EE Solder dross box
Size: 138*65*95mm
Weight: about 0.7Kg

QUICK 371TI Side solder feeder
Power consumption: 20W
Solder wire diameter: 0.4-1.6mm
Size: 206*94*111mm
Weight: about 0.8Kg

Features

- With communication interface, which can be connected with other equipment.
- Microcomputer display, PID temperature control, extremely fast temperature rise and recovery, especially suitable for lead free soldering.
- Nitrogen protection optional.
- Various solder wires selectable, feeding speed, returning length and alarm mode all adjustable.
- Digital temperature calibration, password protection function.
- Temperature and solder wire shortage alarm available.
- Press key to adjust temperature, with automatic sleep and shutdown functions.
- With short-circuit protection, overheat protection and overvoltage protection.
- Feeding bracket multi-angle adjustable.

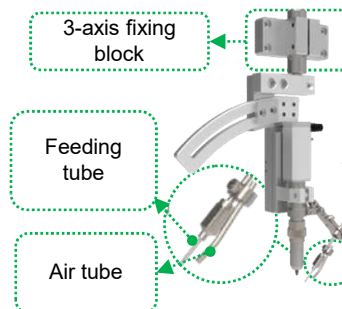


Diagram of 3-axis installation

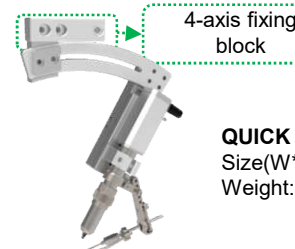


Diagram of 4-axis installation

QUICK 9018BMT Soldering pen fixing assembly
Size(W*H): 200*264mm
Weight: about 0.75Kg

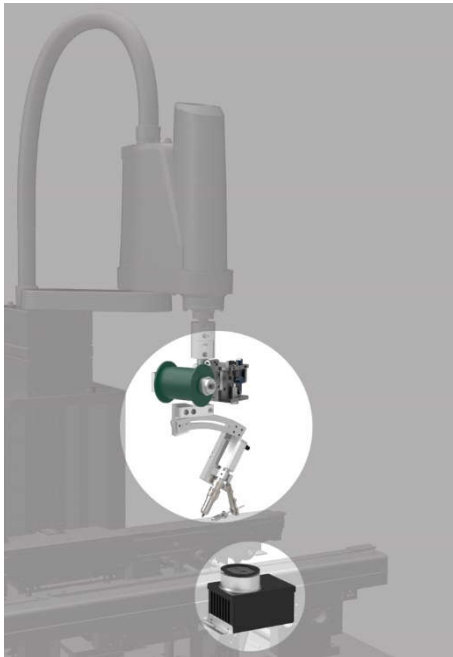
QUICK 9018BMT Soldering pen fixing assembly
Size(W*H): 157*208mm
Weight: about 0.7Kg

QUICK 908BMT+9063C30D+9005EDA-JSCZKK131+9021C

Model		QUICK 378FA
Heating parameter	Voltage	220V AC
	Power consumption	200W
	Temperature range	50°C~500°C
	Soldering pen	QUICK 9018MG
Model		QUICK 371TI
Solder feeding parameter	Feeding speed	50mm/s
	Return length of solder	0 ~ 4.5mm
	Solder wire detection mode	0.9 (Optional)
	Solder wire diameter (mm)	0.5、0.6、0.8、1.0、1.2

Soldering Set

QUICK 7050E



Front installation



Side installation

QUICK 371T Side solder feeder
Power consumption: 20W
Solder wire diameter: 0.3-1.6mm
Size: 206*94*111mm
Weight: about 0.8Kg



QUICK 378FA Heating controller
Power consumption: 200W
Size: 198*98*206mm
Weight: about 2.8Kg



QUICK 371T Front solder feeder
Power consumption: 20W
Solder wire diameter: 0.3-1.2mm
Size: 168*80*112mm
Weight: about 0.7Kg



QUICK 371DNT Solder feeder
Power consumption: 20W
Solder wire diameter: 0.3-1.2mm
Size: 93*75*105mm
Weight: about 0.5Kg



QUICK 9026EE Solder dross box
Size: 138*65*95mm
Weight: about 0.7Kg

Features

- With communication interface, which can be connected with other equipment.
- Microcomputer display, PID temperature control, extremely fast temperature rise and recovery, especially suitable for lead free soldering.
- Nitrogen protection optional.
- Various solder wires selectable, feeding speed, returning length and alarm mode all adjustable.
- Digital temperature calibration, password protection function.
- Temperature and solder wire shortage alarm available.
- Press key to adjust temperature, with automatic sleep and shutdown functions.
- With short-circuit protection, overheat protection and overvoltage protection.
- Feeding bracket multi-angle adjustable.

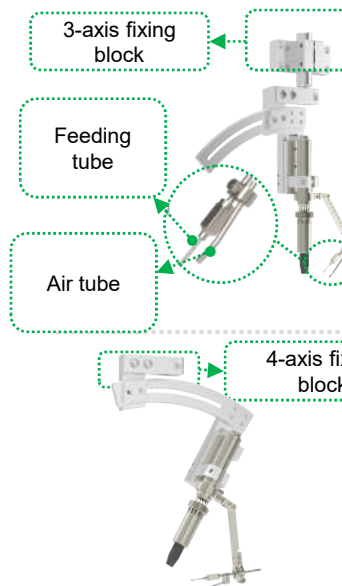


Diagram of 3-axis installation

QUICK 9013G Soldering pen fixing assembly
Size(W*H): 200*264mm
Weight: about 0.75Kg

Diagram of 4-axis installation

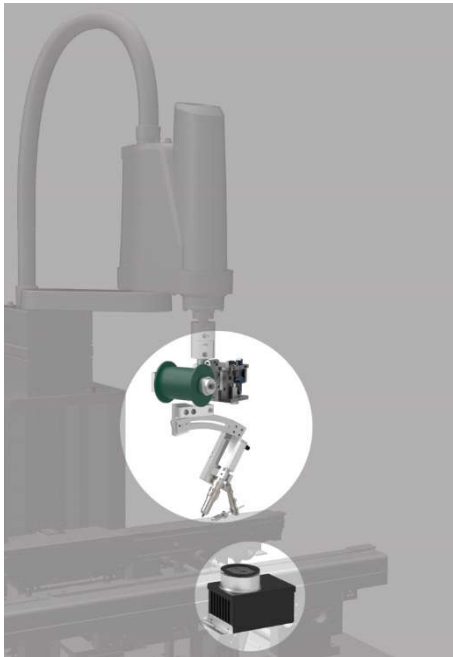
QUICK 9013G Soldering pen fixing assembly
Size(W*H): 157*208mm
Weight: about 0.7Kg

QUICK 9013G+9063A30+9005EDA-JSCZKK131+9021C

Model		QUICK 278H
Heating parameter	Voltage	220V AC
	Power consumption	500W
	Temperature range	50°C~500°C
	Soldering pen	QUICK 9013G
Model		QUICK 371T
Solder feeding parameter	Feeding speed	50mm/s
	Return length of solder	0 ~ 4.5mm
	Solder wire detection mode	0_9 (Optional)
	Solder wire diameter (mm)	0.3、0.4、0.5、0.6、0.8、1.0、1.2

Soldering Set

QUICK 7050EI



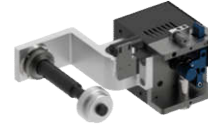
Front installation



Side installation



QUICK 378FA Heating controller
Power consumption: 200W
Size: 198*98*206mm
Weight: about 2.8Kg



QUICK 371TI Front solder feeder
Power consumption: 20W
Solder wire diameter: 0.5-1.2mm
Size: 168*80*112mm
Weight: about 0.7Kg



QUICK 371DNT Solder feeder
Power consumption: 20W
Solder wire diameter: 0.3-1.2mm
Size: 93*75*105mm
Weight: about 0.5Kg



QUICK 9026EE Solder cross box
Size: 138*65*95mm
Weight: about 0.7Kg

QUICK 371TI Solder feeder
Power consumption: 20W
Solder wire diameter: 0.5-1.6mm
Size: 206*94*111mm
Weight: about 0.8Kg

Features

- With communication interface, which can be connected with other equipment.
- Microcomputer display, PID temperature control, extremely fast temperature rise and recovery, especially suitable for lead free soldering.
- Nitrogen protection optional.
- Various solder wires selectable, feeding speed, returning length and alarm mode all adjustable.
- Digital temperature calibration, password protection function.
- Temperature and solder wire shortage alarm available.
- Press key to adjust temperature, with automatic sleep and shutdown functions.
- With short-circuit protection, overheat protection and overvoltage protection.
- Feeding bracket multi-angle adjustable.

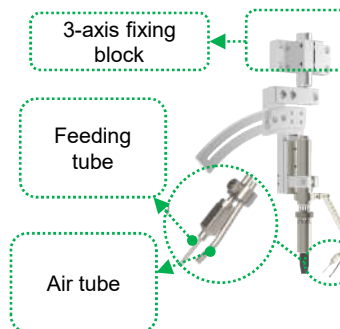


Diagram of 3-axis installation

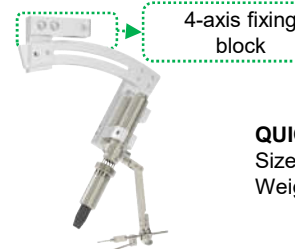


Diagram of 4-axis installation

QUICK 9013G Soldering pen fixing assembly
Size(W*H): 200*264mm
Weight: about 0.75Kg

QUICK 9013G Soldering pen fixing assembly
Size(W*H): 157*208mm
Weight: about 0.7Kg

QUICK 9013G+9063A30+9005EDA-JSCZKK131+9021C

Model		QUICK 278H
Heating parameter	Voltage	220V AC
	Power consumption	500W
	Temperature range	50°C~500°C
	Soldering pen	QUICK 9013G
Model		QUICK 371TI
Solder feeding parameter	Feeding speed	50mm/s
	Return length of solder	0 _ 4.5mm
	Solder wire detection mode	0.9 (Optional)
	Solder wire diameter (mm)	0.5、0.6、0.8、1.0、1.2

Desktop Hotbar Robot

QUICK ET9H383



Features

Motion platform

Y axis controlled by closed-loop motor, with strong load capacity and accurate speed control, double-rail for X/Y axis, precise moving, multiple groups of soldering process parameters selectable, can read parameters through MES and can be started with both hands (single or two hands optional), which is safe and reliable.

Heating controller

Intelligent temperature control system, accurate and stable temperature, closed-loop temperature control, RS485 communication function which can communication with PC/PLC, alarm of abnormal temperature available.

Pressure assembly

Closed-loop pressure control, with abnormal pressure alarm.

Teach pendant

9011D teach pendant, supports array and group functions, easily cope with mold deviation and deviation of tip replacement, can support multiple processing modes such as single-step operation, integral processing, simulated operation, and cyclic automatic processing.

Model		QUICK ET9H383
Number of controllable axis		3
Power consumption		200W
Heating controller power consumption		1500W
Movement range	X/Y Axis	300mm
	Z Axis	100mm
Moving speed	X/Y Axis	0.1~600 mm/sec
	Z Axis	0.1~300 mm/sec
Repeatable accuracy		X/Y/Z Axis ± 0.02 mm
Maximum payload	Z Axis	5kg
	Platform	8kg
Operating range		300x300mm
Size (L*W*H)		480x530x670mm (Without heating controller)
Weight		45kg (Without heating controller)

Options

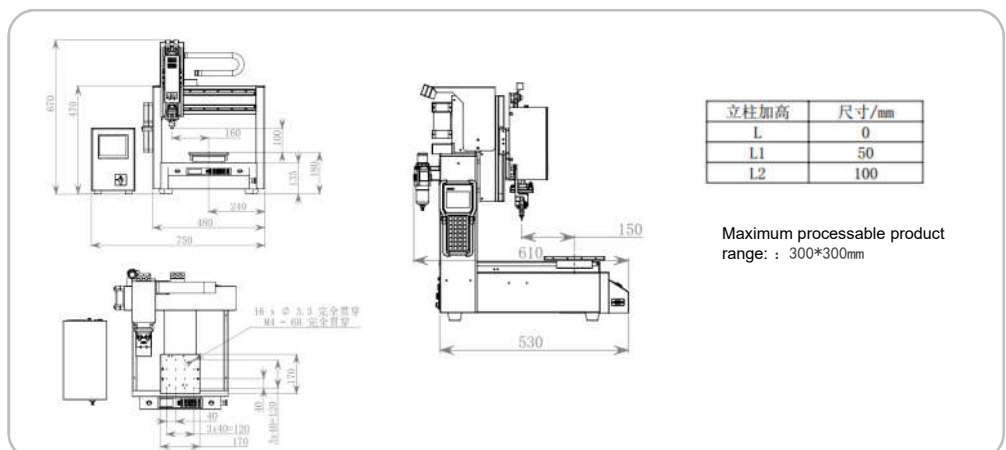


Film rolling device



Titanium head/molybdenum head conversion assembly

Size



Desktop Hotbar Robot

QUICK ET9H583YA



Features

Motion platform

Y axis controlled by closed-loop motor, with strong load capacity and accurate speed control. double-rail for X/Y axis, precise moving, multiple groups of soldering process parameters selectable, can read parameters through MES and can be started with both hands (single or two hands optional), which is safe and reliable.

Heating controller

Intelligent temperature control system, accurate and stable temperature, closed-loop temperature control. RS485 communication function which can communication with PC/PLC. alarm of abnormal temperature available.

Pressure assembly

Closed-loop pressure control, with abnormal pressure alarm.

Teach pendant

9011D teach pendant, supports array and group functions, easily cope with mold deviation and deviation of tip replacement, can support multiple processing modes such as single-step operation, integral processing, simulated operation, and cyclic automatic processing.

Model

QUICK ET9H583YA

Number of controllable axis		3
Power consumption		250W
Heating controller power consumption		1500W
Movement range	X/Y Axis	500mm/400mm
	Z Axis	100mm
Moving speed	X/Y Axis	0.1~600 mm/sec
	Z Axis	0.1~300 mm/sec
Repeatable accuracy	X/Y/Z Axis	± 0.02 mm
Maximum payload	Z Axis	5kg
	Platform	8kg
Operating range		250x400mm (Single platform)
Size (L*W*H)		480x530x670mm (Without heating controller)
Weight		65kg (Without heating controller)

Options

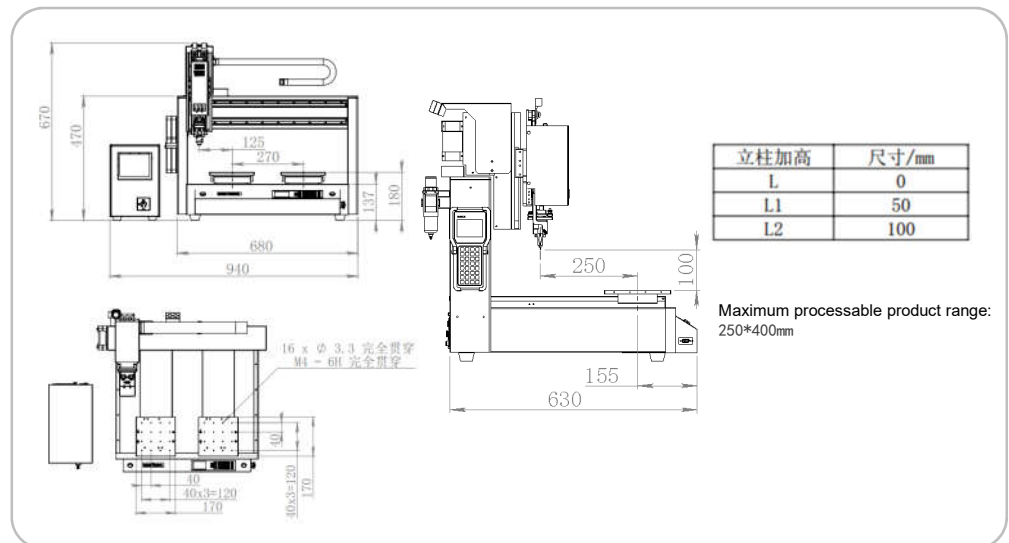


Film rolling device



Titanium head/molybdenum head conversion assembly

Size



Desktop Hotbar Robot

QUICK ET9H393



Features

Motion platform

Y axis controlled by closed-loop motor, with strong load capacity and accurate speed control. double-rail for X/Y axis, precise moving. Multiple groups of soldering process parameters selectable, can read parameters through MES and can be started with both hands (single or two hands optional), which is safe and reliable.

Heating controller

Intelligent temperature control system, accurate and stable temperature, closed-loop temperature control, RS485 communication function which can communicate with PC/PLC, alarm of abnormal temperature available.

Pressure assembly

Closed-loop pressure control, with abnormal pressure alarm.

Teach pendant

9011D teach pendant, supports array and group functions, easily cope with mold deviation and deviation of tip replacement, can support multiple processing modes such as single-step operation, integral processing, simulated operation, and cyclic automatic processing.

Model	QUICK ET9H393	
Number of controllable axis	3	
Power consumption	200W	
Heating controller power consumption	1500W	
Movement range	X/Y Axis	300mm
	Z Axis	100mm
Moving speed	X/Y Axis	0.1~600 mm/sec
	Z Axis	0.1~300 mm/sec
Repeatable accuracy	X/Y/Z Axis	± 0.02 mm
Maximum payload	Z Axis	5kg
	Platform	8kg
Operating range	300x300mm	
Size (L*W*H)	480x530x670mm (Without heating controller)	
Weight	65kg (Without heating controller)	

Options

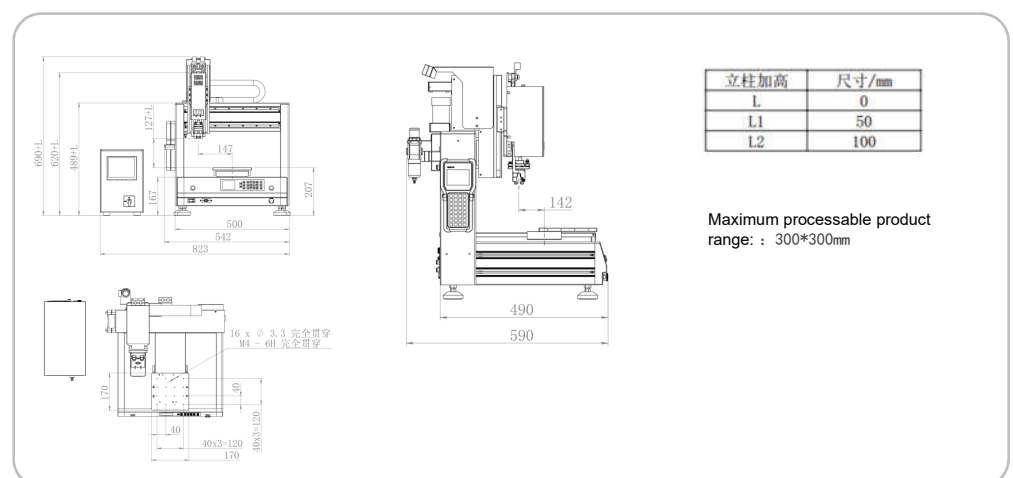


Film rolling device



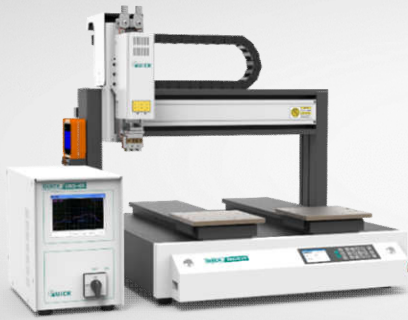
Titanium head/molybdenum head conversion assembly

Size



Desktop Hotbar Robot

QUICK ET9H593YA



Features

Motion platform

Y axis controlled by closed-loop motor, with strong load capacity and accurate speed control. double-rail for X/Y axis, precise moving, multiple groups of soldering process parameters selectable, can read parameters through MES and can be started with both hands (single or two hands optional), which is safe and reliable.

Heating controller

Intelligent temperature control system, accurate and stable temperature, closed-loop temperature control, RS485 communication function which can communication with PC/PLC, alarm of abnormal temperature available.

Pressure assembly

Closed-loop pressure control, with abnormal pressure alarm.

Teach pendant

9011D teach pendant, supports array and group functions, easily cope with mold deviation and deviation of tip replacement, can support multiple processing modes such as single-step operation, integral processing, simulated operation, and cyclic automatic processing.

Model

QUICK ET9H593YA

Number of controllable axis		3
Power consumption		250W
Heating controller power consumption		1500W
Movement range	X/Y Axis	500mm/400mm
	Z Axis	100mm
Moving speed	X/Y Axis	0.1~600 mm/sec
	Z Axis	0.1~300 mm/sec
Repeatable accuracy	X/Y/Z Axis	± 0.02 mm
Maximum payload	Z Axis	5kg
	Platform	8kg
Operating range		250x400mm (Single platform)
Size (L*W*H)		480x530x670mm (Without heating controller)
Weight		90kg (Without heating controller)

Options

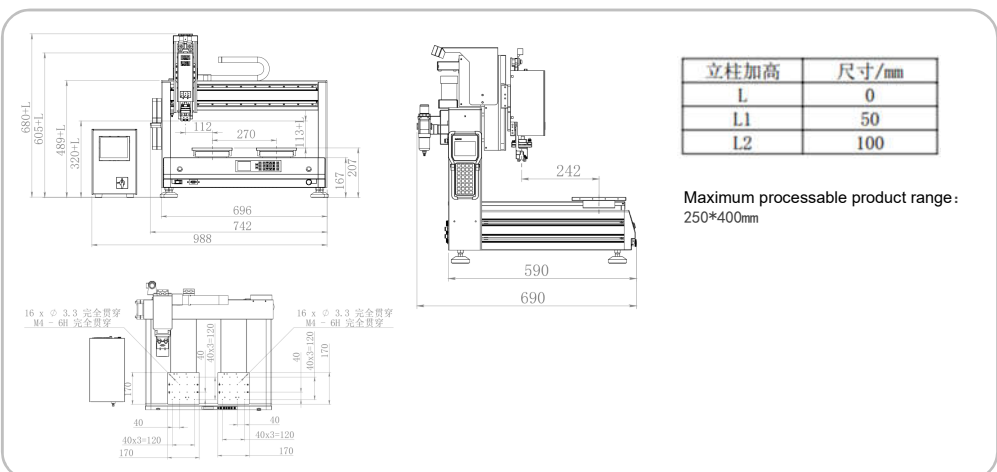


Film rolling device



Titanium head/molybdenum head conversion assembly

Size





Официальный дистрибьютор в России



Техника-М

ООО «Техника-М»

г. Москва, 1-й Институтский проезд, д.5, офис 2-135

тел. (495) 709-34-26, (499) 174-80-35

e-mail: info-m@technica.ru

www.technica-m.ru



Sweep and contact us

QUICK INTELLIGENT EQUIPMENT CO.,LTD.



+86-519-86225678



info@quick-global.com



www.quick-global.com



No.11 Fengxiang Road, Wujin High-tech Zone,
Changzhou, Jiangsu, China